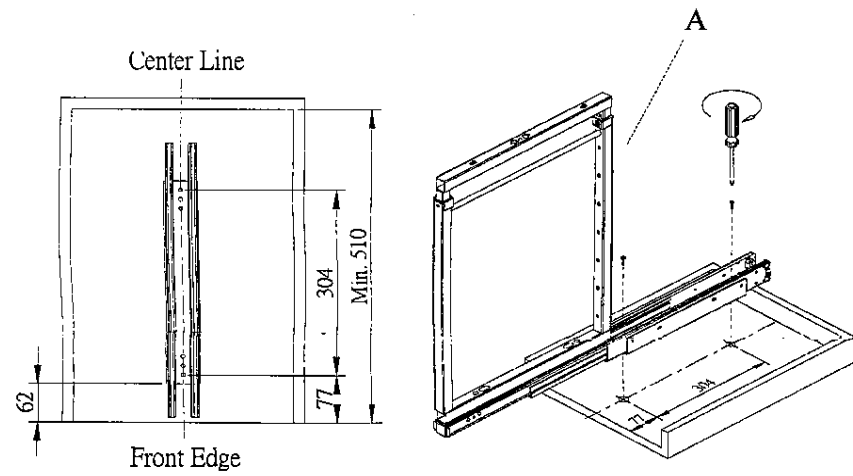


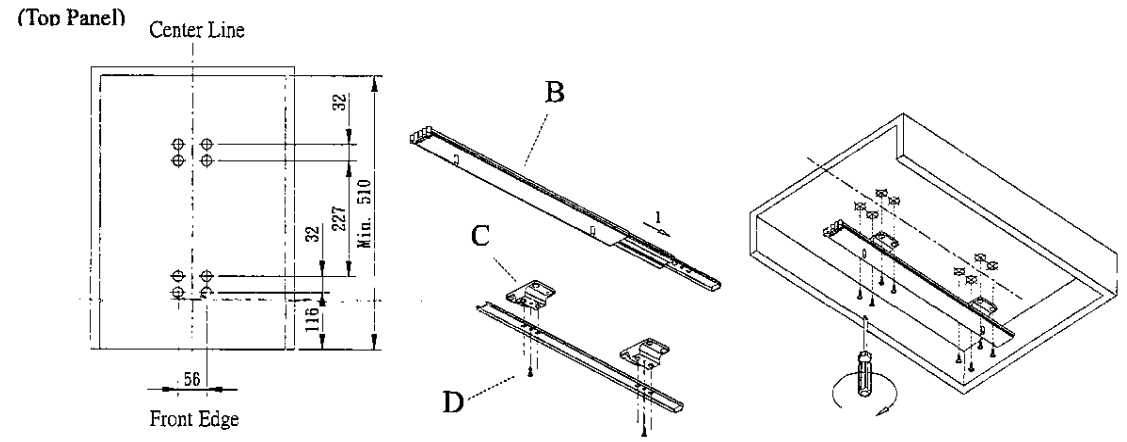
# INSTALLATION INSTRUCTIONS

## For Soft-Closing SHORT UNIT

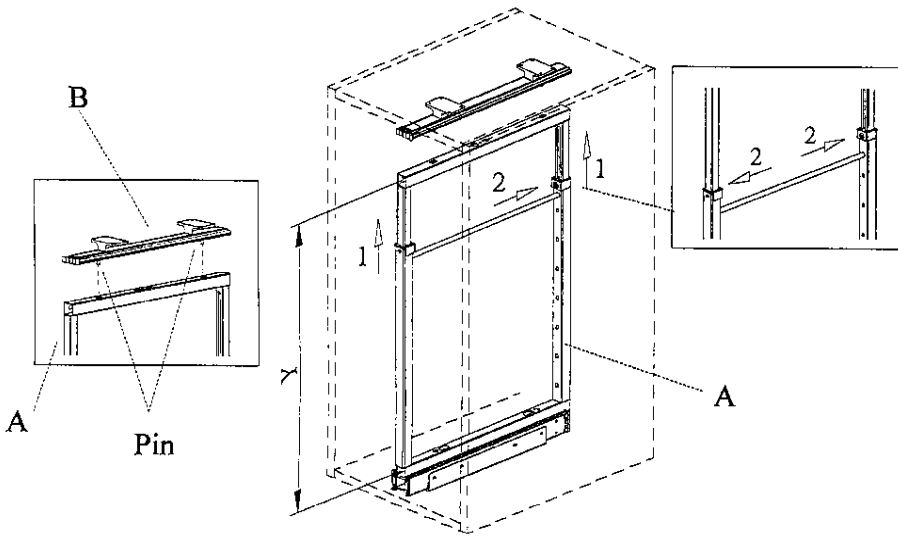
**STEP 1:** 1: Mark center line and screw hole positions on bottom panel for bottom runner (A).  
2: Screw bottom runner (A) to bottom panel.



**STEP 2:** 1: Mark center line on top panel and screw hole positions for plastic base (C) of top slide (B).  
2: Release the inner channel of top slide (B), fasten the plastic base (C) to inner channel using 2 screws (D) enclosed.  
3: Push the inner channel back into slide, screw plastic base of top slide to top panel.

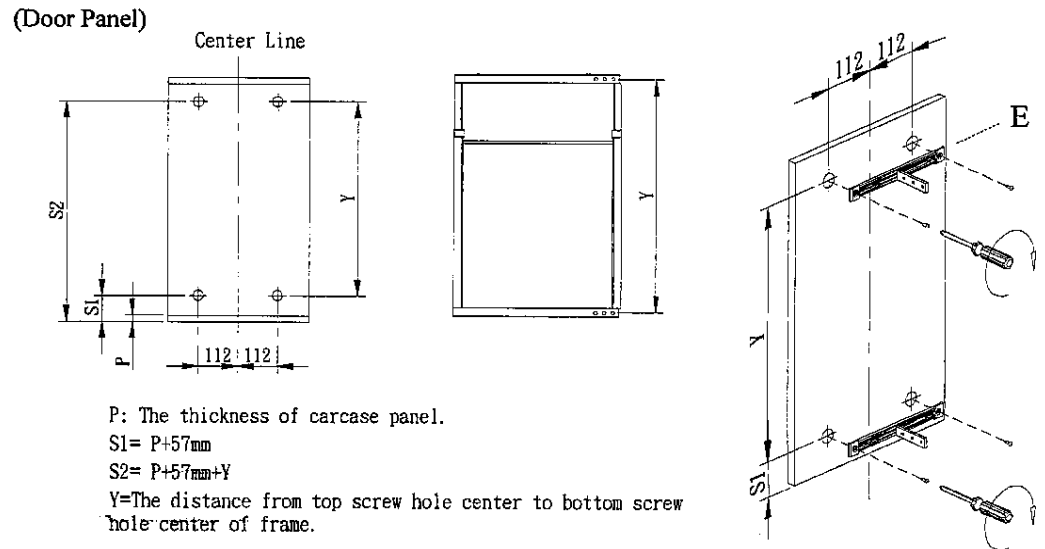


**STEP 3:** 1: Pull adjustable frame top up to match the pin of top slide.  
2: Tighten frame set screws in final height position.

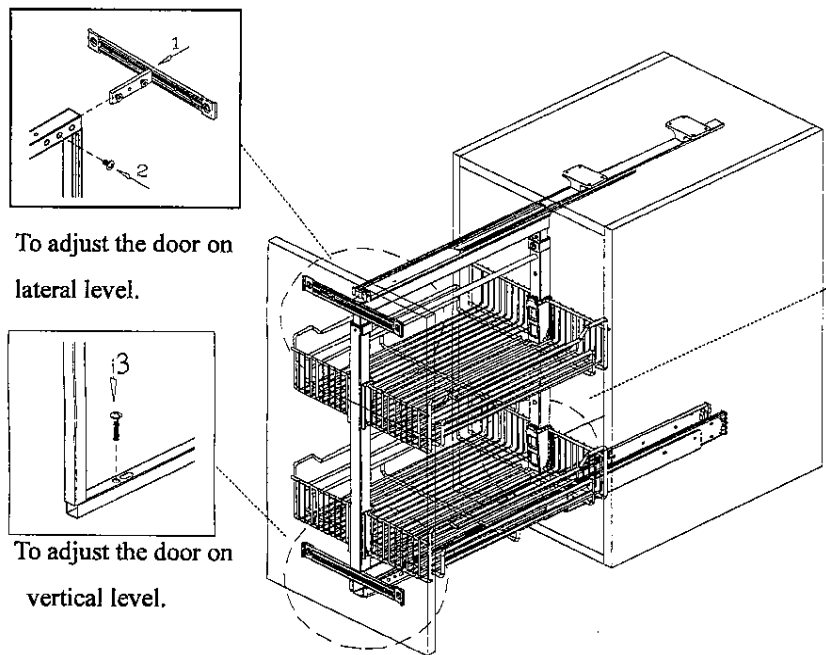


### Panel Door Type:

**STEP 4:** 1: Mark center line and screw hole positions on back of door panel for two T-Bar (E).  
2: Fasten two T-Bar to door panel using your screws.

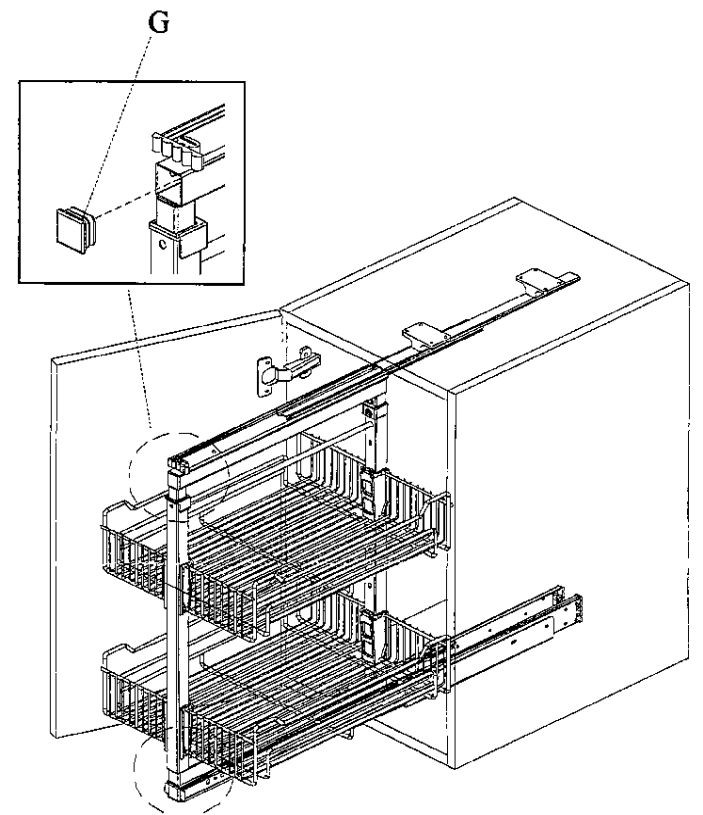


**STEP 5:** 1. Release middle screw of T-Bar, push together T-Bar to frame tubing, then tighten the middle screw and two screws on T-Bar.  
2. To adjust the door's lateral or horizontal position, loosen or tighten the screw set on top or bottom T-Bar.  
3. To adjust the door's vertical position to use 2 adjustment bolts attached on frame.  
4. Using enclosed plastic clip (F) insert to pre-drilled holes in frame to get desired heights of basket.



### Hinge Door Type:

1. For Hinge Door Type, use enclosed 2 end cap (G) instead of 2 T-Bar (E).



Ax1set	Bx1pc	Cx2pcs	Dx2pcs	Ex2pcs	Fx4pcs	Gx2pcs