

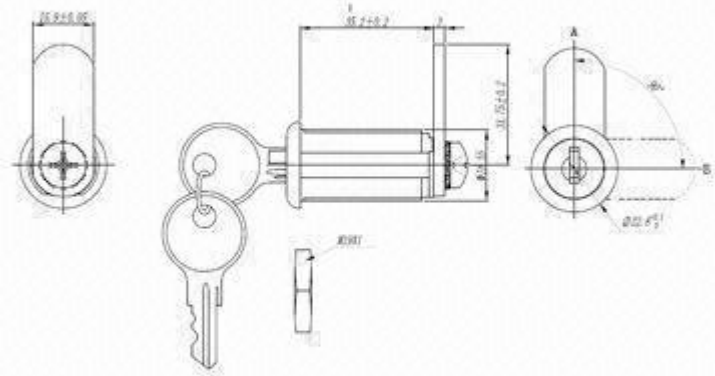
## GALVIN CAM LOCKS

### Removable core/barrel cam locks



Galvin item codes : LBOCAM25  
LBOCAM29  
LBOCAM35  
LBOCAM40

Order with LBARRELMK to complete lock



The Galvin CAM LOCK is ideal for use on drawers and cupboards.

Rotating the key results in a cam movement of 90°

A 19.5mm hole is required for insertion through the panel

Body length is available in 4 sizes to suit door thickness

Lock body is supplied with 2 prong locking ring and locking nut and standard cam

Order exchangeable barrel with individual keying or keyed alike format

Osborne Park: 39 Howe Street.  
Bunbury: 12 Sylvan Way  
O'Connor: 11 Zeta Cres  
Wangara: U-2 6 Ismail Street  
Thebarton: 14 Murray Street  
Lonsdale: 1 Bristol Court

Ph 08 9446 6333 Fax 08 9446 8865  
Ph 08 9725 4812 Fax 08 9725 4809  
Ph 08 9331 3688 Fax 08 9331 1503  
Ph 08 9309 6333 Fax 08 9309 6899  
Ph 08 8352 1888 Fax 08 8352 1666  
Ph 08 8186 1888 Fax 08 8186 1666