

Push to open opening system for handleless furniture fronts

- ▶ Accessories
- ▶ For Push to open Pin / Push to open Magnet, for drilling in



- ▶ High quality designer adapter for upgrading furniture range
- ▶ For combination with all Push to open drill in versions
- ▶ Push to open drill in version must be ordered separately
- ▶ Suitable for full overlay, half overlay and inset doors
- ▶ Attachment housing material: plastic, anthracite
- ▶ Housing material: zinc die-cast nickel plated

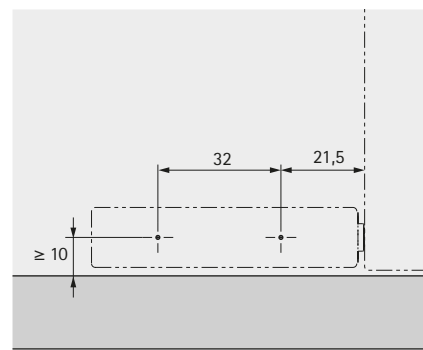
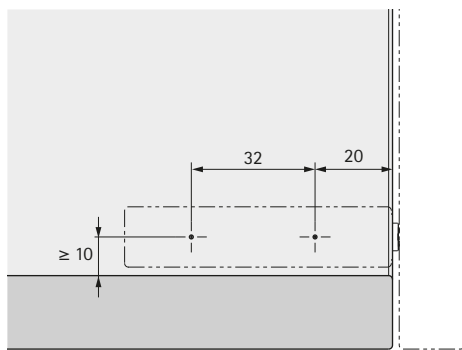
Designer adapter



- Set comprises:
- ▶ 1 attachment housing
 - ▶ 1 designer adapter

Order no.	PU
9 089 633	1/25 set

Drilling pattern for the attachment housing for overlay or inset door with Push to open Pin



Drilling pattern for the attachment housing for overlay or inset door with Push to open Magnet

