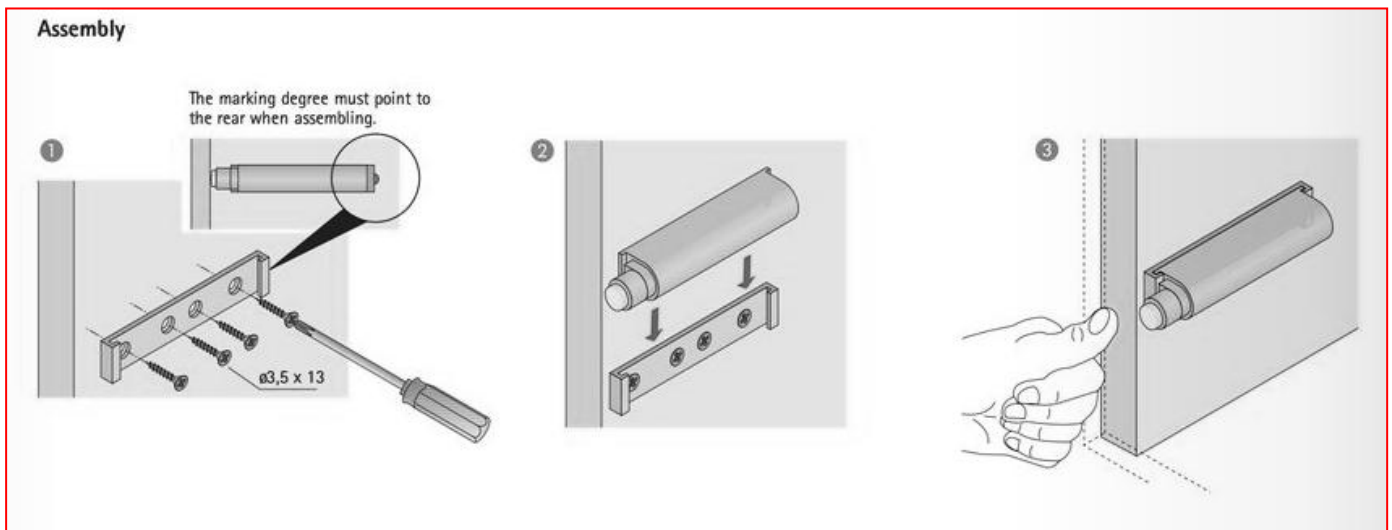


Code: CPUSHOPENWH

Universal Push to Open mechanism conveniently opens doors or drawers with a simple push to the front panel.

Panels do not require handles

Suitable for use with overlay doors, inset doors and drawers



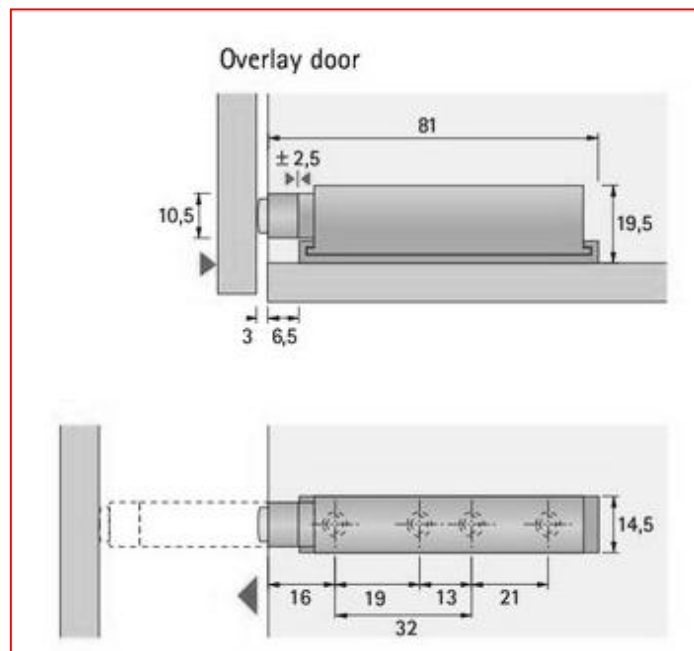
## Installing CPUSHOPENWH for OVERLAY DOORS

Install the plastic support bracket by drilling 4 screw holes in a line perpendicular to the front edge of the cupboard wall.

Make sure that the small nib on the support bracket is to the rear of the cupboard.

For OVERLAY DOOR situations:

1. Drill the first hole 16mm from the front edge,
2. Drill the second hole a further 19mm in from the first hole
3. Drill a third hole another 13mm from the second hole
4. Drill a fourth hole 21mm from the third hole.
5. Fasten the plastic support bracket, with the nib facing the rear of the cupboard, to the cupboard wall using 4 countersunk longthread screws or countersunk self tapping screws M3.5 x 13mm or 6 Gauge x 1/2"
- (See diagram below for graphical measurements)
6. Slide the piston assembly with the piston to the door, into the plastic support bracket and centre in the bracket.
7. The soft tip can be adjusted by screwing in or out, to make the door sit flush with surrounding doors



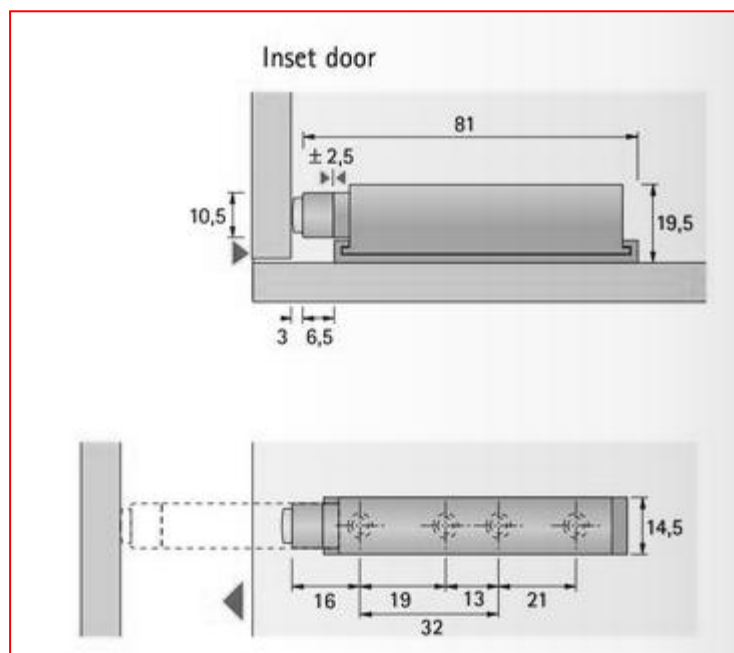
## Installing CPUSHOPENWH for INSET DOORS

Install the plastic support bracket by drilling 4 screw holes in a line perpendicular to the front edge of the cupboard wall.

Make sure that the small nib on the support bracket is to the rear of the cupboard.

For INSET DOOR situations:

1. Measure the thickness of the door and add 3mm to give the setback measurement.
2. Drill the first hole the setback measurement + 16mm from the front edge
3. Drill the second hole a further 19mm in from the first hole
4. Drill a third hole another 13mm from the second hole
5. Drill a fourth hole 21mm from the third hole.
6. Fasten the plastic support bracket, with the nib facing the rear of the cupboard, to the cupboard wall using 4 countersunk longthread screws or countersunk self tapping screws M3.5 x 13mm or 6 Gauge x 1/2"
- (See diagram below for graphical measurements)
7. Slide the piston assembly with the piston to the door, into the plastic support bracket and centre in the bracket.
8. The soft tip can be adjusted by screwing in or out, to make the door sit flush with surrounding doors



Osborne Park: 39 Howe Street.  
Bunbury: 12 Sylvan Way  
Wangara: U-2 6 Ismail Street  
Thebarton: 14 Murray Street

Ph 08 9446 6333 Fax 08 9446 8865  
Ph 08 9725 4812 Fax 08 9725 4809  
Ph 08 9309 6333 Fax 08 9309 6899  
Ph 08 8352 1888 Fax 08 8352 1666