

BALL BEARING SOFT CLOSE SLIDES



Soft close full extension ball bearing slide

Side clearance 12.7mm
+0.1mm -0.2mm (1/2")

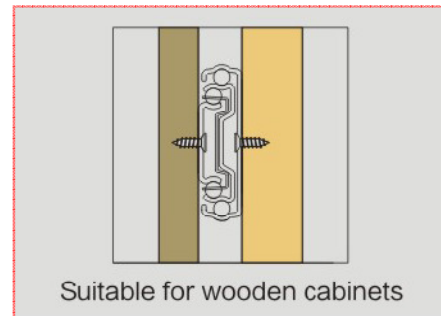
Loading capacity 45kg (100 lbs)

Side Clearance:

Minimum side clearance 12.5mm

Maximum side clearance: 13.5mm

Ultimate clearance for best operation: 12.7mm to 13.2mm



Product Code	Description	Minimum Cabinet Depth
BBSC300	Drawer runner BALL BEARING SOFT-CLOSE PARTIAL EXT SIDE MOUNT 300mm	304mm
BBCS350	Drawer runner BALL BEARING SOFT-CLOSE FULL EXT SIDE MOUNT 350mm	354mm
BBSC400	Drawer runner BALL BEARING SOFT-CLOSE FULL EXT SIDE MOUNT 400mm	404mm
BBSC450	Drawer runner BALL BEARING SOFT-CLOSE FULL EXT SIDE MOUNT 450mm	454mm
BBSC500	Drawer runner BALL BEARING SOFT-CLOSE FULL EXT SIDE MOUNT 500mm	504mm
BBSC550	Drawer runner BALL BEARING SOFT-CLOSE FULL EXT SIDE MOUNT 550mm	554mm

Osborne Park: 39 Howe Street.
Bunbury: 12 Sylvan Way

Ph 08 9446 6333 Fax 08 9446 8865
Ph 08 9725 4812 Fax 08 9725 4809

Wangara: U-2 6 Ismail Street
Thebarton: 14 Murray Street

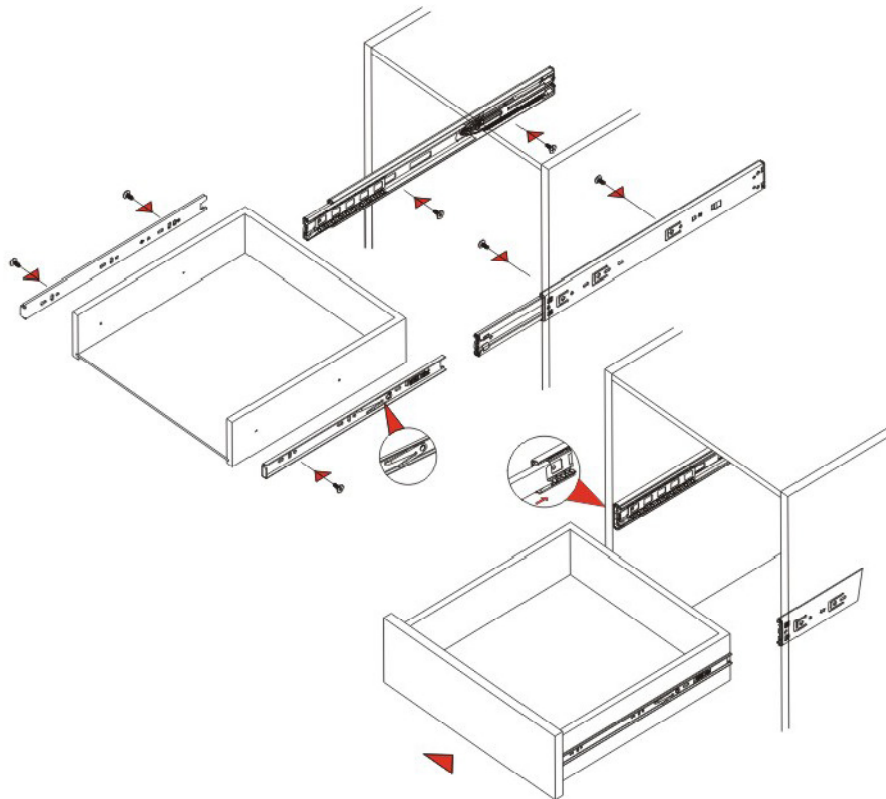
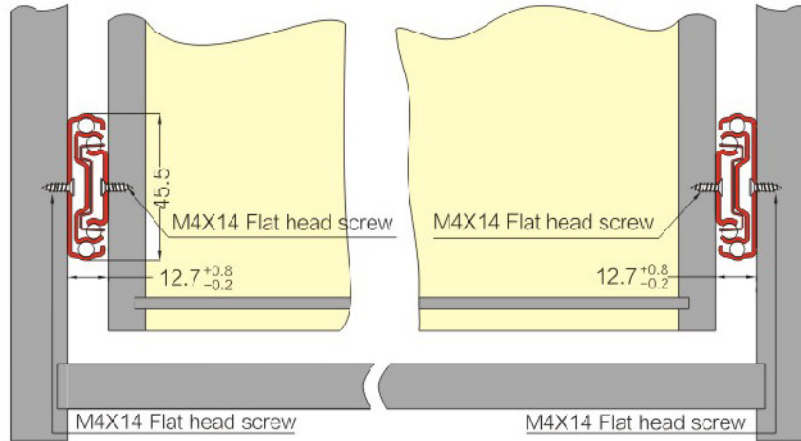
Ph 08 9309 6333 Fax 08 9309 6899
Ph 08 8352 1888 Fax 08 8352 1666

Phone: 08 9446 6333

Fax: 08 9446 8865

Email: hardware@galvinhw.com.au

Web: galvinhw.com.au



Osborne Park: 39 Howe Street.
Bunbury: 12 Sylvan Way

Ph 08 9446 6333 Fax 08 9446 8865
Ph 08 9725 4812 Fax 08 9725 4809

Wangara: U-2 6 Ismail Street
Thebarton: 14 Murray Street

Ph 08 9309 6333 Fax 08 9309 6899
Ph 08 8352 1888 Fax 08 8352 1666



Phone: 08 9446 6333

Fax: 08 9446 8865

Email: hardware@galvinhw.com.au

Web: galvinhw.com.au

Applications:

General home or office furniture
or other drawer applications such as
Rolling tool boxes in workshops,
Rolling medicine cabinets in hospitals,
Parts drawers in store rooms and warehouses.

Features:

Full extension in sets 350mm or longer
Lever disconnect for drawer removal
Less noise at opening or closing
Load capacity of 45 kg or 100 pounds
Zinc plated finish to resist corrosion

Soft Close features:

Soft close distance: 40mm
Soft close time: 1.2 to 1.8 seconds
Opening force: 12 – 15 Newtons

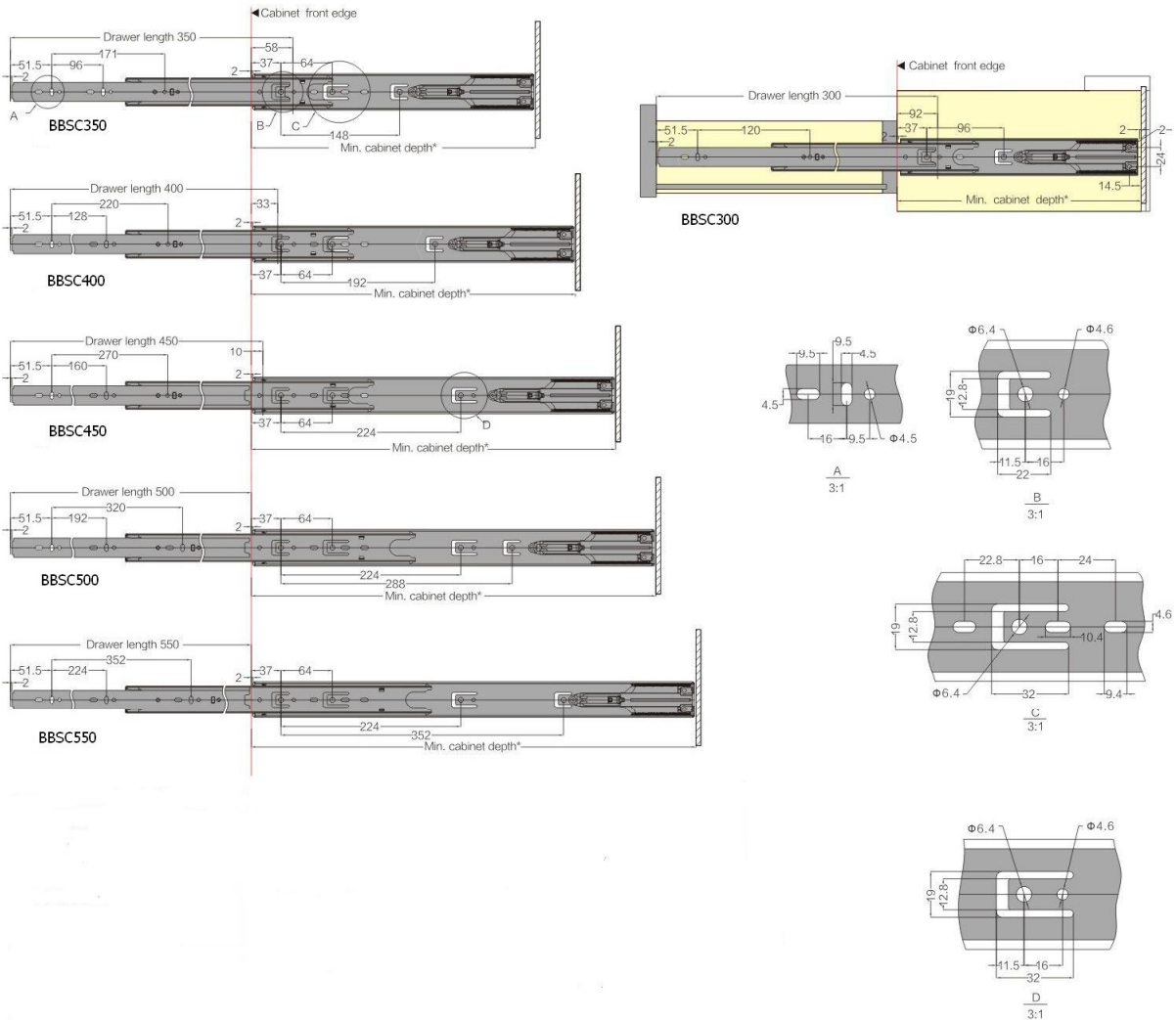
Osborne Park: 39 Howe Street.
Bunbury: 12 Sylvan Way

Ph 08 9446 6333 Fax 08 9446 8865
Ph 08 9725 4812 Fax 08 9725 4809

Wangara: U-2 6 Ismail Street
Thebarton: 14 Murray Street

Ph 08 9309 6333 Fax 08 9309 6899
Ph 08 8352 1888 Fax 08 8352 1666

HOLE PATTERN FOR DRAWERS AND CABINETS



END OF DOCUMENT

Osborne Park: 39 Howe Street.
Bunbury: 12 Sylvan Way

Ph 08 9446 6333 Fax 08 9446 8865
Ph 08 9725 4812 Fax 08 9725 4809

Wangara: U-2 6 Ismail Street
Thebarton: 14 Murray Street

Ph 08 9309 6333 Fax 08 9309 6899
Ph 08 8352 1888 Fax 08 8352 1666

Galvin Hardware assumes no liability for any consequences resulting from misprints or errors that appear in this document.