


PLATINUM

SINK COLLECTION



GALVIN
HARDWARE





For over 80 years the Galvin family has been proudly supplying the Australian market with quality products and services. In 1983 Galvin Hardware was brought into the group via the acquisition of C. Bert Hood. Today we are proud to have 4 branches throughout Western Australia and South Australia providing the cabinet and furniture making industry with specialist hardware.

The success of Galvin Hardware and the Galvin Group can be attributed to three principal reasons:

- The customers of whom there are many hundreds
- The loyalty of the Galvin staff
- Our adherence to our well publicised business policy.

You, the customer, are the most important person in this business.

PLATINUM

Platinum range of quality sinks is designed to complement your new kitchen. For over 18 years, Platinum has been designing sinks for the Australian kitchen industry that meet the expectations of quality, design, and durability. Galvin Hardware is very proud to present the Platinum Sink Collection featured in this brochure for your consideration.







Contents

Product Support	04
Kitchen Series	06-08
Laundry Series	09
Product Dimensions	12-15
Contact Information	16



All Platinum products come complete with an Australian based manufacturer's warranty for your peace of mind. In the rare event that you require assistance, our Platinum Customer Care team is here to help.

-  **1300 985 815**
-  customercare@platinumappliances.com.au
-  PO Box 7785, Baulkham Hills BC, NSW 1755
-  www.galvinhw.com.au



10 Year Warranty



1 Year Parts & Labour

* See warranty card for full terms and conditions.





PLATINUM SINKS
SIMPLY BEAUTIFUL KITCHEN SINKS,
ENGINEERED FOR EVERYDAY USE



Optional
Accessories
Available



Optional
Accessories
Available



PLATINUM 385 SINK

PLSNK385INSET

- 28L Capacity
- Satin Finish
- Top or Undermount Installation
- 10mm Radius Corners
- 304 Grade Stainless Steel
- Premium Basket Waste

PLATINUM 807 SINK

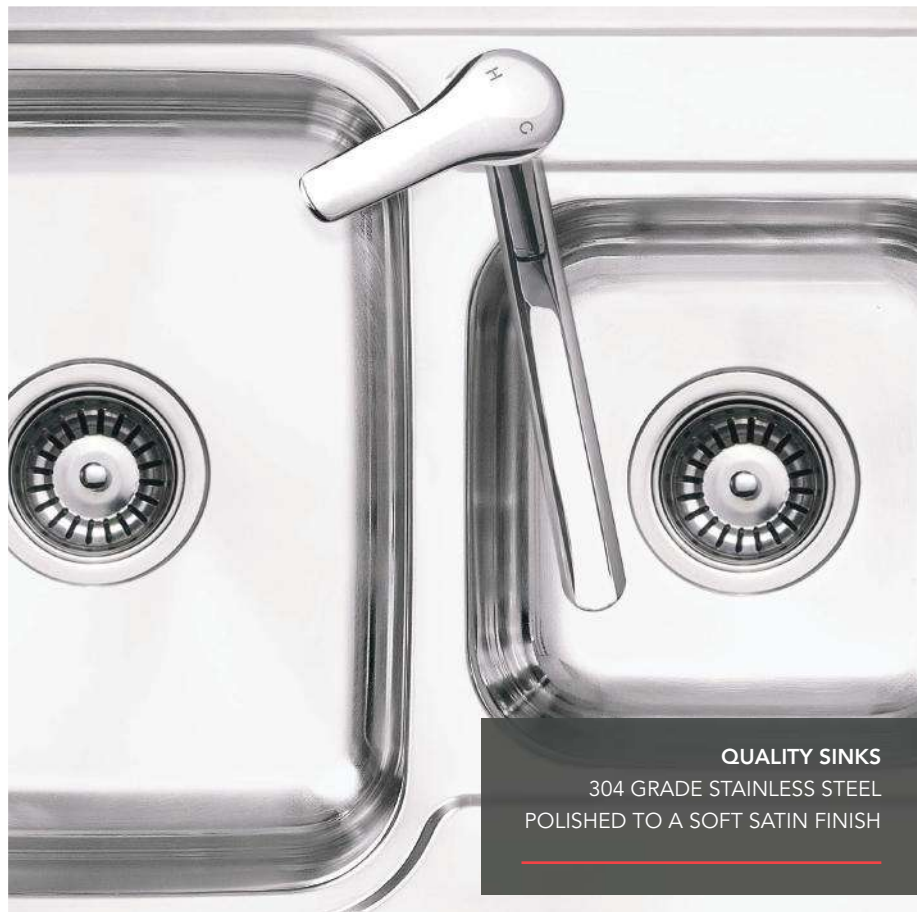
PLSNK807INSET

- 28L / 28L Capacity
- Satin Finish
- Top or Undermount Installation
- 10mm Radius Corners
- 304 Grade Stainless Steel
- Premium Basket Waste

PLATINUM ACCESSORY PACK

PLSNKACC1

- 1 X Stainless Steel Extension Drainer
 - 1 X Timber Cutting Board
-



QUALITY SINKS
304 GRADE STAINLESS STEEL
POLISHED TO A SOFT SATIN FINISH



PLATINUM 800 SINK

PLSNK800R1 - Right Hand Bowl

PLSNK800L1 - Left Hand Bowl

PLSNK800NT - Reversible (No Tap Hole)

- 22L Capacity
- Satin Finish
- Top Mount Installation
- 304 Grade Stainless Steel
- Slim Pressed Edge
- Premium Basket Waste



PLATINUM 1080 SINK

PLSNK1080R1 - Right Hand Bowl

PLSNK1080L1 - Left Hand Bowl

PLSNK1080NT - Reversible (No Tap Hole)

- 22L / 9L Capacity
- Satin Finish
- Top Mount Installation
- 304 Grade Stainless Steel
- Slim Pressed Edge
- Premium Basket Waste

PLATINUM 1180 SINK

PLSNK1180R1 - Right Hand Bowl

PLSNK1180L1 - Left Hand Bowl

PLSNK1180NT - Reversible (No Tap Hole)

- 22L / 22L Capacity
- Satin Finish
- Top Mount Installation
- 304 Grade Stainless Steel
- Slim Pressed Edge
- Premium Basket Waste



PLATINUM LAUNDRY TUB

PLTUB50SUDS - Two Tap Holes

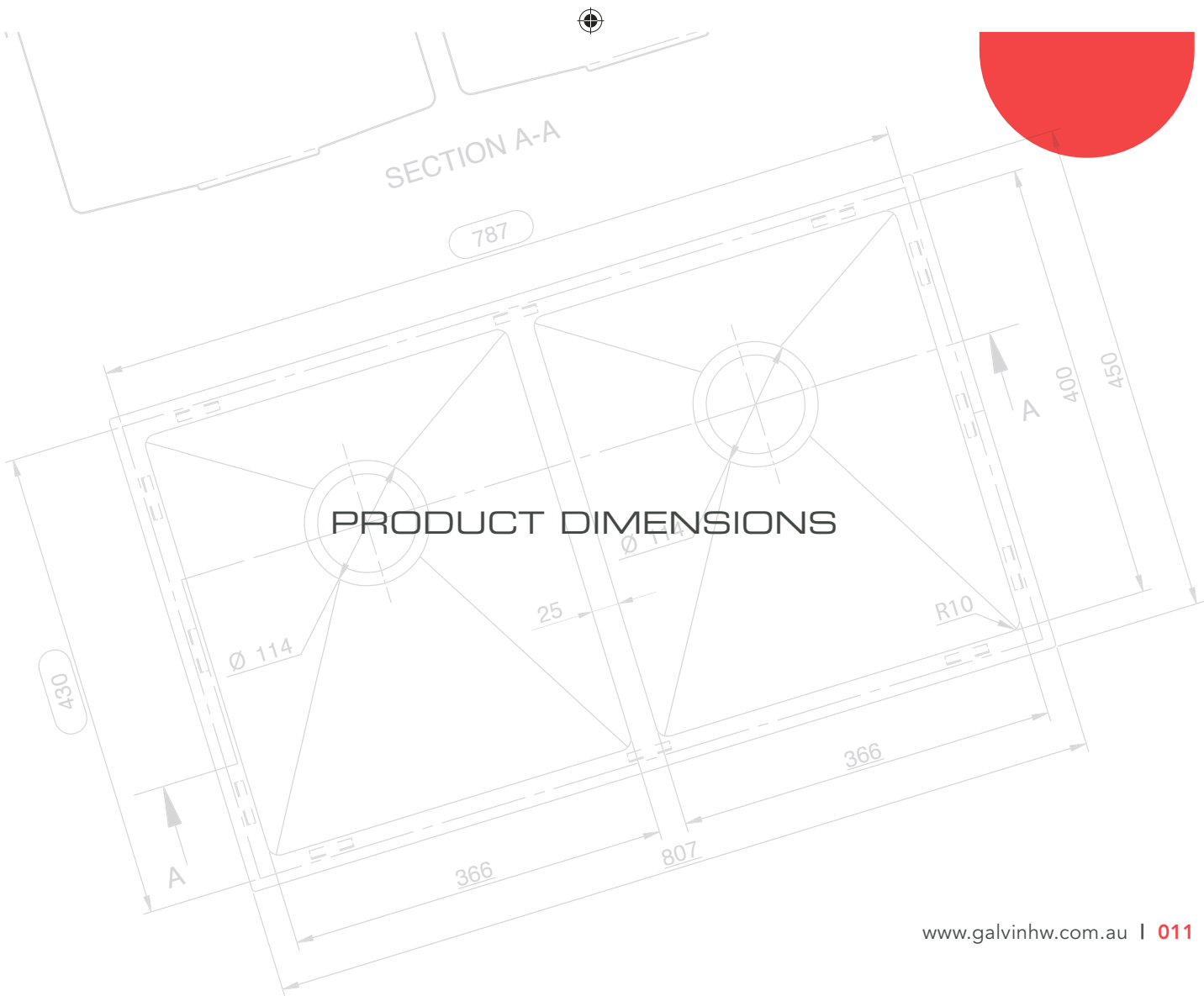
- 50L Capacity
- Mirror Finish
- Top Mount Installation
- 304 Grade Stainless Steel
- Premium Basket Waste
- Include Bypass Kit

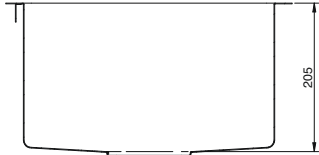




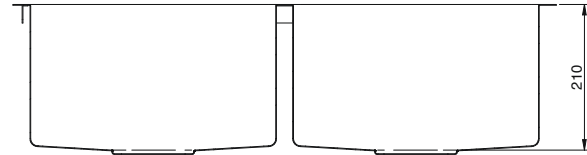
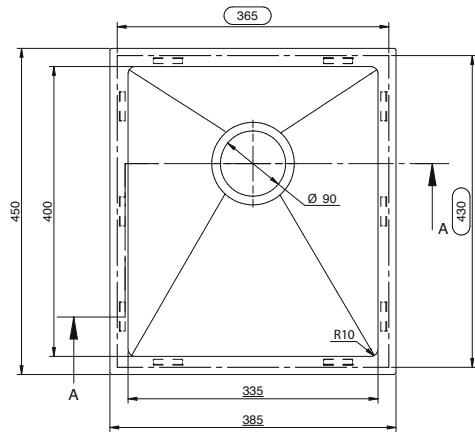
PLATINUM SINK WARRANTY
10 YEAR WARRANTY FOR PEACE
OF MIND*

* Product Replacement Only

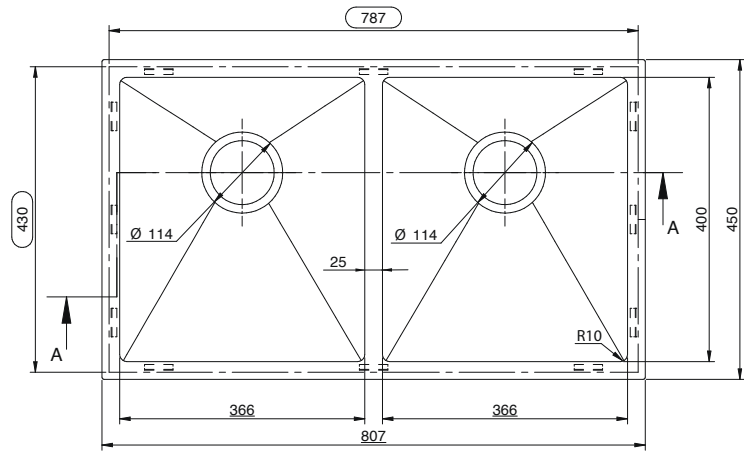




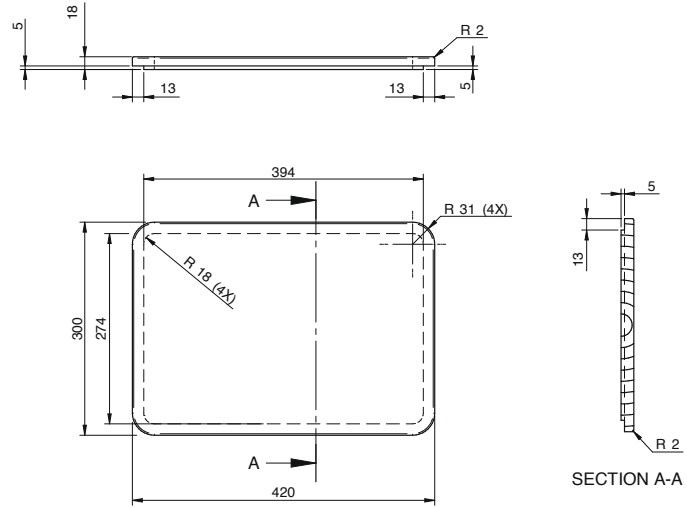
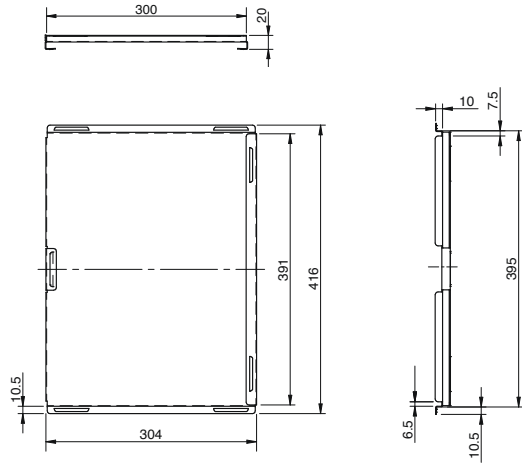
SECTION A-A



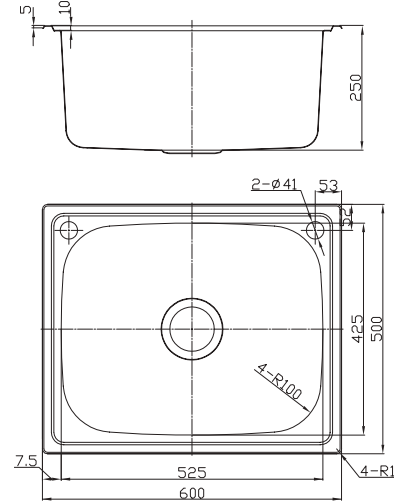
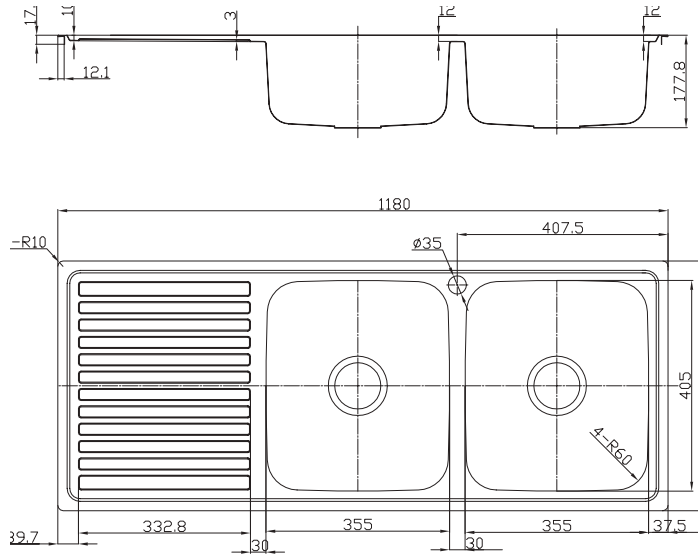
SECTION A-A



PRODUCT DIMENSIONS



PRODUCT DIMENSIONS





As part of Platinum Appliances ongoing development program, product specifications may change without notice. All dimensions are provided as a guide only and should be checked prior to installation.

“Galvin”, “Platinum” and related logos and variations, are trademarks or registered trademarks, in Australia, of Galvin Hardware Pty Ltd © 2019 Galvin Hardware Pty Ltd

Warranty: Our goods come with guarantees that cannot be excluded under the Australian Consumer Law. You are entitled to a replacement or refund for a major failure and for compensation for any other reasonably foreseeable loss or damage. You are also entitled to have the goods repaired or replaced if the goods fail to be of acceptable quality and the failure does not amount to a major failure.

Please see www.galvinhw.com.au for complete warranty details.

PLATINUM

Branch Locations

Osborne Park - 39 Howe Street, Osborne Park, Western Australia 6017
T. 08 9446 6333

Bunbury - 31A Shanahan Road, Bunbury, Western Australia 6230
T. 08 9725 4812

Wangara - Unit-2 6 Ismail Street, Wangara, Western Australia 6065
T. 08 9309 6333

Adelaide - 14 Murray Street, Thebarton, South Australia 5031
T. 08 8352 1888

Version 2.1