

# 60cm Stainless Steel Canopy RANGEHOOD

PRODUCT CODE: **EA60SX2**



## FEATURES:

- + Stainless steel finish
- + 3 speed motor
- + 700m<sup>3</sup>/hr extraction capacity
- + 2 x 1.5w LED lights
- + Separate light function
- + Electronic button front controls
- + Dishwasher safe cassette filters
- + 150mm air flow outlet

### 3 SPEED MOTOR

This rangehood provides the option of 3 different speed levels ensuring you have the option to use your rangehood at a low, medium or high level of operation.

### HIGH EXTRACTION CAPACITY

The extraction capacity of 700m<sup>3</sup>/hr provides strength and power to this stylish rangehood.

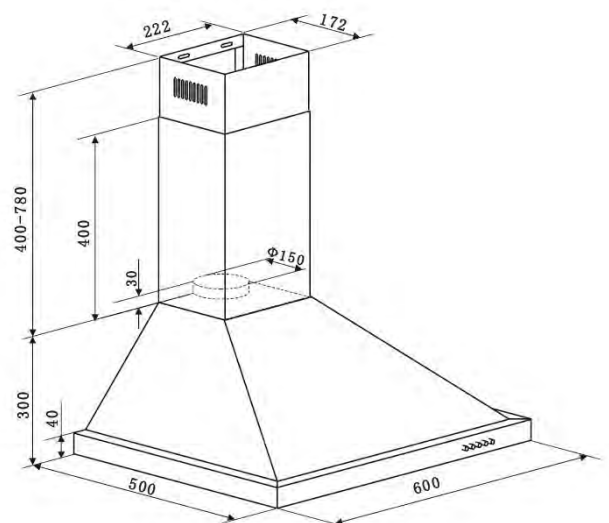
### DISHWASHER SAFE CASSETTE FILTERS

The cassette filters can be placed in a dishwasher for easy cleaning and can easily be removed, re-connected from the rangehood.

### DECIBEL RATING

58 - 62 dBA

<b>Electrical Requirements</b>	Rangehood is supplied with 10amp cord & plug.
<b>Decibel Rating</b>	58 - 62 dBA
<b>Available Ventilation Kits</b>	RHKE65EU Wall - Eave vent kit RHKMR65EU Universal metal roof kit (includes flashing) RHKTR65EU Universal tile roof kit (includes flashing)
<b>Rangehood Extension</b>	Flue Extension 1m Code: ERCEXT
<b>Carbon Filter</b>	CF110 (requires 2)
<b>Weight</b>	8.5kg (net) 10.5kg (gross)
<b>Barcode</b>	<b>9347726027876</b>



eurocooking



Warranty

## HELPFUL TIPS

- + Leave your rangehood on for 15 minutes after the cooking of the food to remove all odors, steam etc.
- + The dishwasher-safe cassette filters need to be cleaned after approximately 2 months of standard operation
- + It is recommended that the rangehood be installed between 650mm and 750mm above the cooktop
- + It is also recommended that fumes from the rangehood be ducted out into the atmosphere.
- + Turn off the rangehood before attempting to clean

## INSTALLATION

Installation is recommended by a qualified installer, please refer to the product manual for full installation instructions.

## FILTER CLEANING INFORMATION

Cassette mesh filter: Requires cleaning monthly. This will ensure no interruptions with airflow operation.