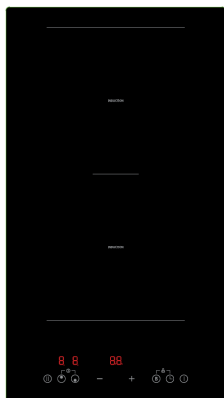


30cm Induction Cooktop

COOKTOP

PRODUCT CODE: **ECI30FZ2**



FEATURES:

- + Induction cooktop
- + Easy clean Ceran glass
- + Single flexi zone
- + 9 stage power setting
- + Total Rated Load: 3.5kW
- + Auto shutdown protection
- + Timer function
- + Child lock safety
- + Residual heat indicator
- + Square edge design

RESIDUAL HEAT INDICATOR

Residual Heat Indication is a safety feature to indicate that the surface of the glass ceramic on top of a cooking zone still above 60°C which may cause burns when touching by bare hands. The segment of the corresponding cooking zone displays an H in this case.

TIMER FUNCTION

The timer function allows you to select the number of minutes you would like to cook for. The cooking zone will turn off automatically once the time has elapsed.

PAN SENSOR

To ensure safety whilst cooking, this induction cooktop is equipped with a pan sensor. This will detect if a pan has been placed on the cooktop and will not heat up if nothing is detected.

AUTO SHUTDOWN PROTECTION

This is an additional safety feature to turn off cooking zones after a certain time with no operation to the corresponding cooking zone by the user.

SPECIFICATIONS:

Electrical Requirements	Dedicated circuit from cooktop to main switchboard
Voltage	220V-240V
Frequency	50Hz-60Hz
Total Rated Load:	3.5kW
Cooking Zones:	
- Front Zone	1800W/3300W zone
- Rear Zone	1800W/3300 W zone
Weight	7.6kg (Gross)/ 6.4kg (Net)
Product Dimensions	W288mm x D520mm x H 60mm

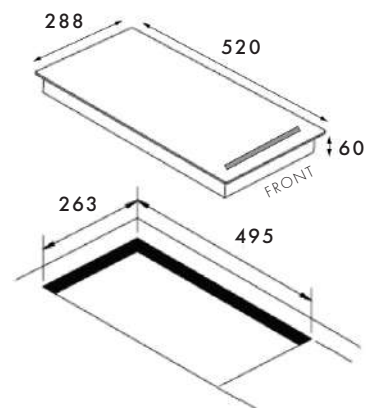


eurocooking



Warranty

INSTALLATION DIAGRAM



CLEANING AND MAINTENANCE

- Cleaning operations must only be carried out when the appliance is completely cool.
- Clean the appliance regularly, preferably after each use
- Abrasive cleaners or sharp objects will damage the appliance surface; you should clean it using water and a little washing up liquid

ABOUT INDUCTION COOKTOPS

- Induction electric cooktops are suited to consumers who are truly energy-conscious as well as providing rapid heating.
- Induction cooktops result in up to 40% greater energy efficiency than gas cooktops and up to 26% greater energy efficiency than ceran glass cooktops.

INSTALLATION INFORMATION

Please refer qualified installer to our product instruction manual.