

# NEW: DYNAPRO TIPMATIC SOFT-CLOSE FOR BATHROOM FURNITURE



**Can be ordered:** from June 2019

**Can be supplied:** from September 2019

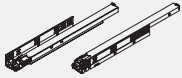
## OPENING SYSTEM FEATURES


- Mechanical opening system with low closing force
- Suitable for light drawers with a weight of < 5 kg to 30 kg
- Very low closing resistance for reliable, smooth closing with low loads
- 3-stage adjustment of the opening force
- Large trigger range due to synchronisation rod


## FULL EXTENSION SLIDE FEATURES

- Dynapro full-extension slides compatible with Tipmatic Soft-close units for bathroom furniture
- Suitable up to a maximum total weight of 30 kg
- Nominal lengths 270 mm - 400 mm

## ORDER INFORMATION


<b>1</b>	<b>Dynapro Soft-close full-extension slide for bathroom furniture</b> Set: One left, one right		
		30 kg	
	NL	Art.-no.	PU
	270	F130136511	211
	300	F130136514	211
	350	F130136517	211
	400	F130136520	211


<b>2a</b>	<b>Dynapro 3D set</b> Front locking device (2D) and adjustment adapter (1D) One left, one right		
	Art.-no.	PU	
	F134108956	517	

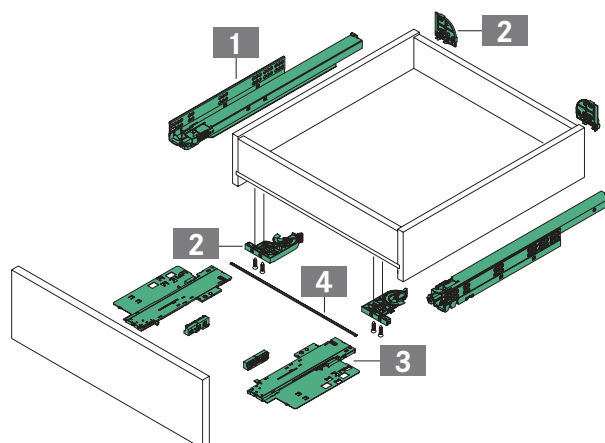
<b>2b</b>	<b>Dynapro 2D set</b> Front locking device (1D) and adjustment adapter (1D) One left, one right		
	Art.-no.	PU	
	F134117193	517	

### Packaging unit (PU):

- 207 = 10 units in a cardboard box
- 211 = 20 units in a cardboard box
- 517 = 50 units in PE in a cardboard box
- 607 = 10 units in a cardboard box in a cardboard box

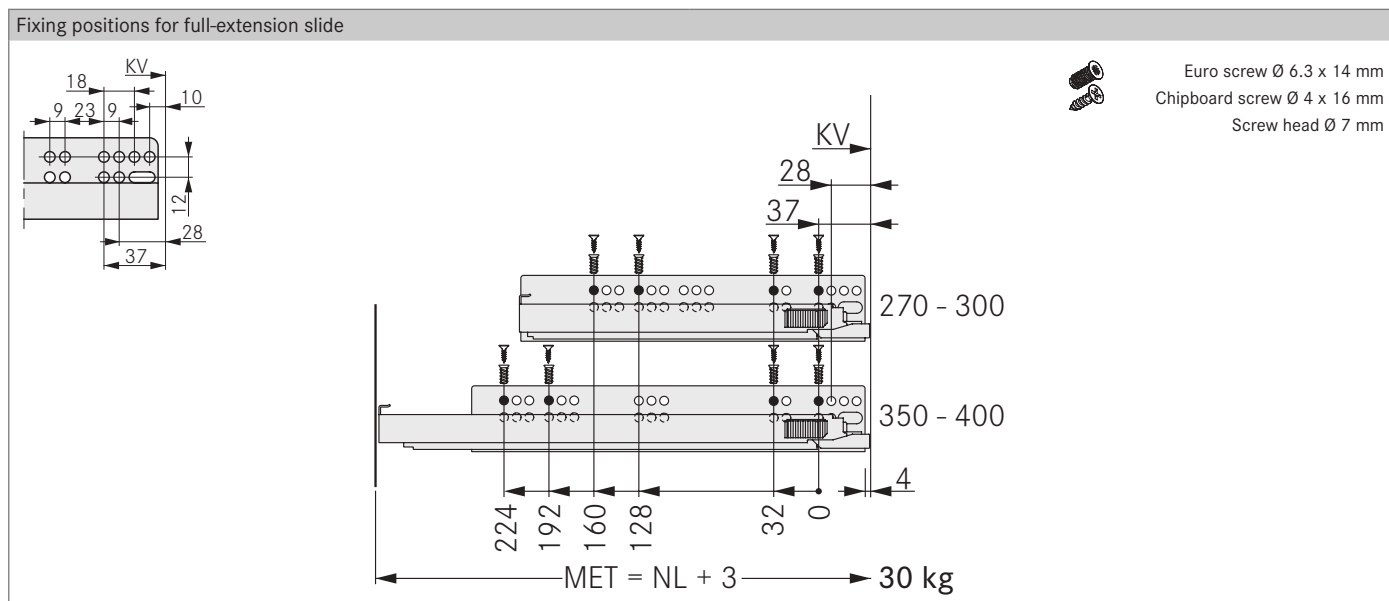
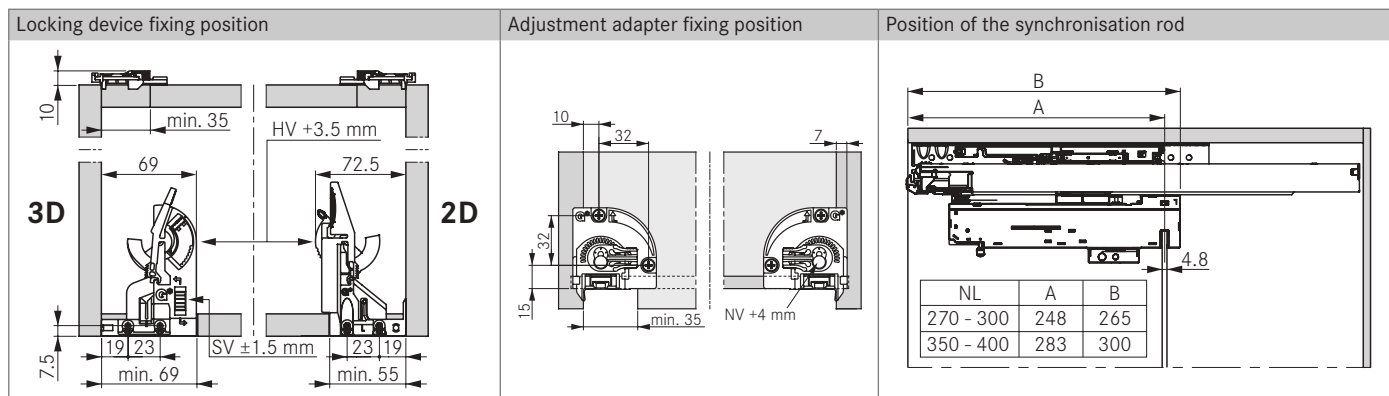
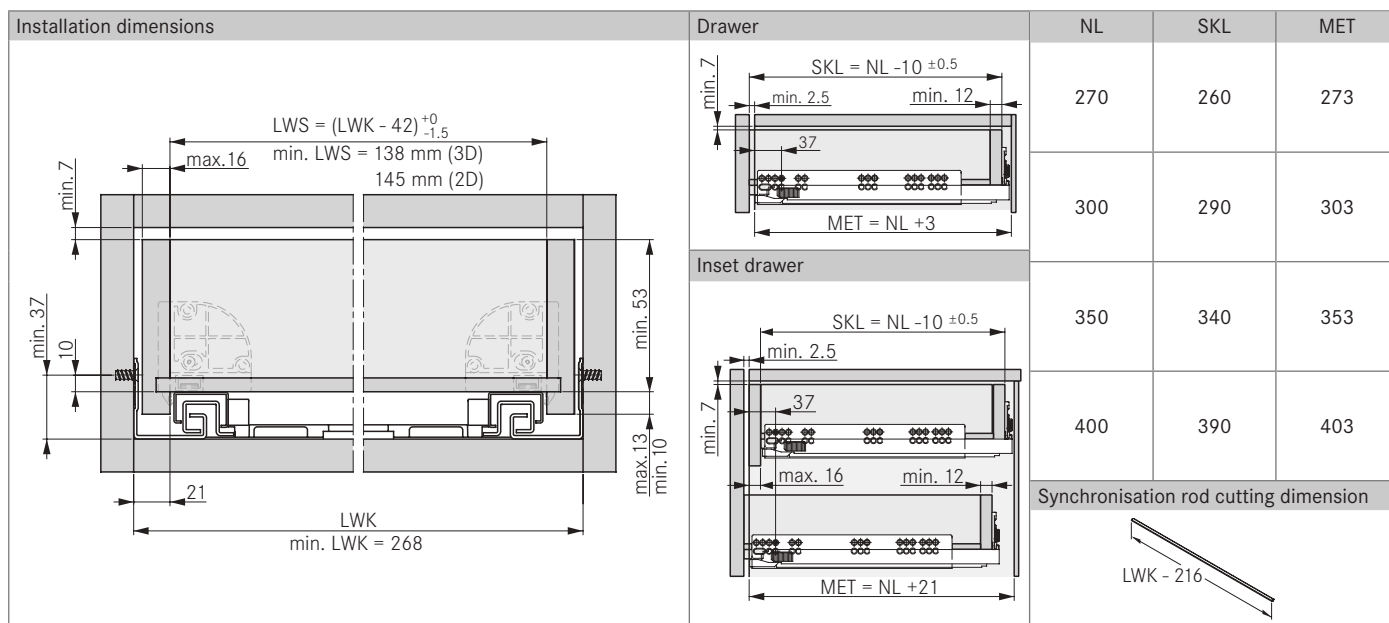
<b>3</b>	<b>Dynapro Tipmatic Soft-close for bathroom furniture</b> Set: Unit and activator One left, one right		
	Art.-no.	PU	
	F134136510	607	

<b>4</b>	<b>Synchronisation rod</b> Single item: for cutting to length		
	L	Art.-no.	PU
	952	F134109410	207



## PLANNING DIMENSIONS

All dimensions in millimetres



## LEGEND

HV	Height adjustment	LWS	Internal drawer width	SKL	Length of drawer
KV	Front edge of cabinet	MET	Minimum installation depth	SV	Side adjustment
L	Length	NL	Nominal length		
LWK	Inside cabinet width	NV	Tilt angle adjustment		