



WARDROBE FITTINGS



DELUXE SLIDING BELT RACK

Optional left or
right hand installation
Smooth roller action
Polished chrome finish

55mm W x 350mm D x 88mm H

Order Code: **RACKBELT**

DELUXE SLIDING TIE RACK

Optional left or
right hand installation
Smooth roller action
Polished chrome finish

59mm W x 350mm D x 78mm H

Order Code: **RACKTIE**





DELUXE SLIDING VALET ROD

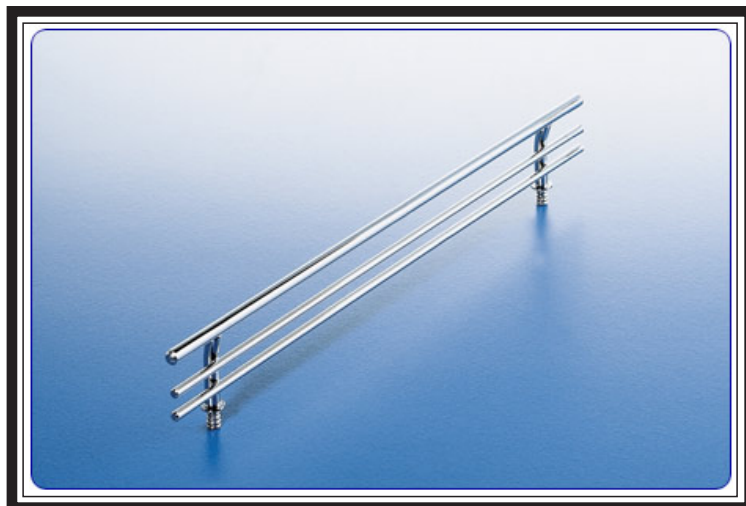
Optional left or right hand installation
Smooth roller action
Polished chrome finish

29mm W x 350mm D x 80mm H

Order Code: **VALETROD**

DELUXE SLIDING TROUSER RACK

Optional left or right hand installation
Smooth roller action
Polished chrome finish
430mm W x 480mm D x 100mm H
Order Code: **RACKTROUSER**



SHOE FENCE

Fixed to an adjustable shelf with 5mm press-in dowels.
Prevents shoes from sliding off angled shelving
Made from steel, and beautifully finished in polished chrome

Order Code: **SHOEFENCE279** - 279mm length

Order Code: **SHOEFENCE432** - 432mm length

Order Code: **SHOEFENCE584** - 584mm length

Order Code: **SHOEFENCE737** - 737mm length

JEWELLERY TRAY

MDF tray finished in black velvet flock for inserting into wardrobe or dresser drawers to accommodate jewellery and other fine trinkets

Order Code: **JEWELTRAY**



WARDROBE RAILS



Chrome tube for wardrobe rails
Available in 16mm, 19mm and 25mm

Order Code: **TUBECPI6** - 16mm diam

Order Code: **TUBECPI9** - 19mm diam

Order Code: **TUBECP25** - 25mm diam



Chrome oval tube for wardrobe rails
30mm x 15mm oval

Order Code: **TUBEOVCP**

WARDROBE RAIL PILLARS

End and centre pillars for round
wardrobe rails

Order Code: **BRPE16** - end 16mm

Order Code: **BRPE19** - end 19mm

Order Code: **BRPE25** - end 25mm

Order Code: **BRPC16** - centre 16mm

Order Code: **BRPC19** - centre 19mm

Order Code: **BRPC25** - centre 25mm



End brackets and centre pillars for oval
wardrobe rails

Order Code: **BROVALEND** - end pillar

Order Code: **BROVALCEN** - centre pillar

Order Code: **BROVALNPS** - screw-on flange

FLANGES



Oval and Round flanges for
panel mounting the rail ends



Order Code: **BROVAL16** - oval base 16mm

Order Code: **BROVAL19** - oval base 19mm

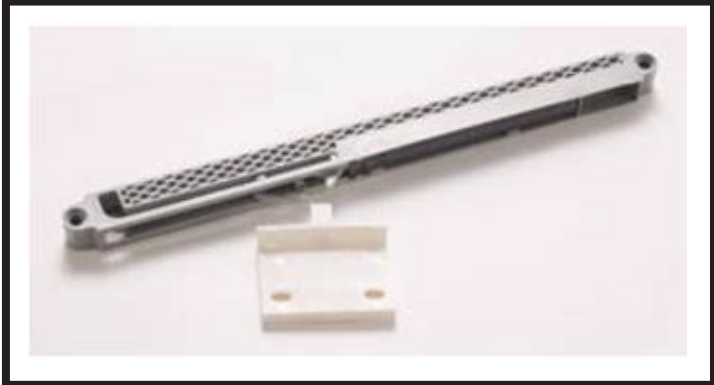
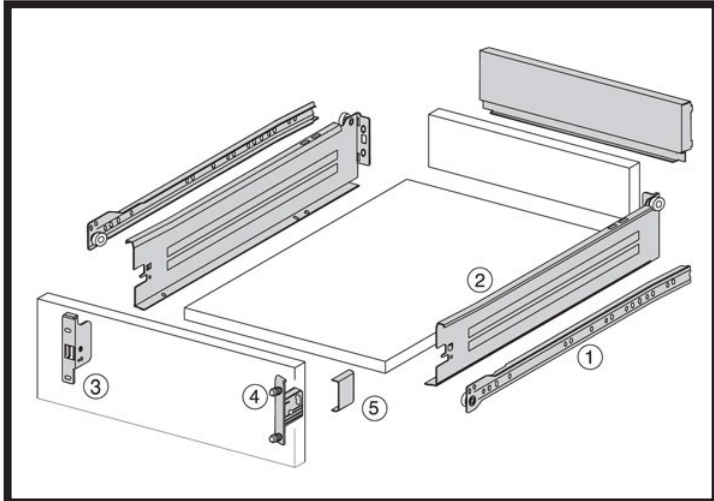
Order Code: **BRFLR16** - round flange 16mm

Order Code: **BRFLR19** - round flange 19mm

Order Code: **BRFLR25** - round flange 25mm

WARDROBE DRAWERS

IMPAZ SINGLE WALL STEEL DRAWERS - SINGLE EXTENSION



- Single extension
- Steel drawer panels
- Epoxy coated - white
- Heights - 85mm, 117mm, 149mm, 213mm
- Depths - from 250mm to 550mm
- Load capacity = 30kg
- Self closing feature
- Flexible 2 dimensional front adjustment
- Smooth rolling mechanism
- Double out-stop safety feature
- Locked-in position when extended
- Optional soft-close mechanism available

WESTERN AUSTRALIA

OSBORNE PARK

39 Howe Street
Ph: 9446 6333 • Fax: 9446 8865

BUNBURY

12 Sylvan Way
Ph: 9725 4812 • Fax: 9725 4809

WANGARA

6 Ismail Street
Ph: 9309 6333 • Fax: 9309 6899

SOUTH AUSTRALIA

THEBARTON

14 Murray Street • Ph: 8352 1888 • Fax: 8352 1666

Email: hardware@galvinhw.com.au • Website: www.galvinhw.com.au