

## APPLICATION

- ▶ Suitable for interior or exterior top hung sliding doors. If fitted on exterior, the top track must be protected by a canopy.
- ▶ Ideal for residential, commercial or light industrial sliding doors.
- ▶ Versatile design allows the opening to be covered by any number of doors.  
When a door slides more than twice its width, a continuous channel must be fitted in the floor and two guides fitted on to the bottom rail of the door.
- ▶ The track may be fitted directly beneath the lintel, in single or multiple lines, or face fitted to the lintel using single line brackets.
- ▶ No. 285 hangers, with 285FP face plates, enable door as thin as 16mm to be hung on the 'Husky' system.

## DOOR SPECIFICATION

**Track System:** Husky 75

For Individual Doors:

Max Door Weight	75kg
Max Door Height	2400mm
Min Door Thickness	16mm (with 285FP Face Plate)

Suitable for use with timber doors of any design or metal doors lightly constructed of channel or angle framing and clad with choice of sheeting.

## STANDARD SETS AND PACKS

Husky Sets, each suitable for sliding one door, comprising steel track, brackets, two hangers, two door stops, one guide, spanner and screws.

Set No.	Door Width	Track Width	Qty Brackets
H3	610mm to 915mm	1700mm	5
H4	915mm to 1220mm	2500mm	8
H5	1200mm to 1525mm	3000mm	10

Husky Door Pack, suitable for sliding one door, comprising two hangers, two door stops, one guide, spanner and screws.

**Pack No.**

H1

Select the track and brackets for use with the H1 door pack.

## HARDWARE SPECIFICATION

Track - punched for soffit fitting:	280	90
Material	Galvanised steel	Aluminium
Standard lengths	1250mm (5)	1250mm (5)
(Max quantity of track brackets, if required, shown in parentheses)	1700mm (7)	1700mm (7)
	2100mm (8)	2100mm (8)
	2500mm (10)	2500mm (10)
	3000mm (12)	3000mm (12)
	4000mm (15)	3805mm (15)
		5105mm (19)
		6000mm (23)

Do not end butt 280 steel track because encompassing brackets are not available. 90 aluminium track may be end butted.

**Bracket:**

Single	281	91
Pack of 5 brackets	281/5	91/5
Pack of 8 brackets	281/8	91/8

Bracket 91 made from stainless steel. Bracket 281, pressed steel, zinc plated. Supplied with matching fasteners.

**Hangers (2 per door):**

Timber doors - min 20mm thick	284H
Timber doors - min 16mm thick	285 plus 285FP face plate
Metal doors	285

Hangers have die-cast aluminium body and 4 ballrace wheels with nylon tyres. Vertical adjustment on all hangers and lateral adjustment on timber door hangers.

**Door Stop:** 287

Pressed steel, zinc plated, supplied with a rubber buffer and locking screw.

**Guide:** 101N

The nylon guide is designed to slide through a 20mm deep by 5mm wide sawcut in the bottom rail of the door. The guide is fitted on the floor at the edge of the opening in the overlap area. The guide has lateral adjustment.

**Spanner:** 812

Pressed steel zinc plated.

**Accessories:**

**Door Stop:** 255 for Aluminium Track, 287 Steel Track  
Pressed steel, zinc plated, supplied with a rubber buffer and locking bolt.

**Guide:** 102WA

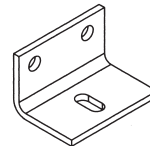
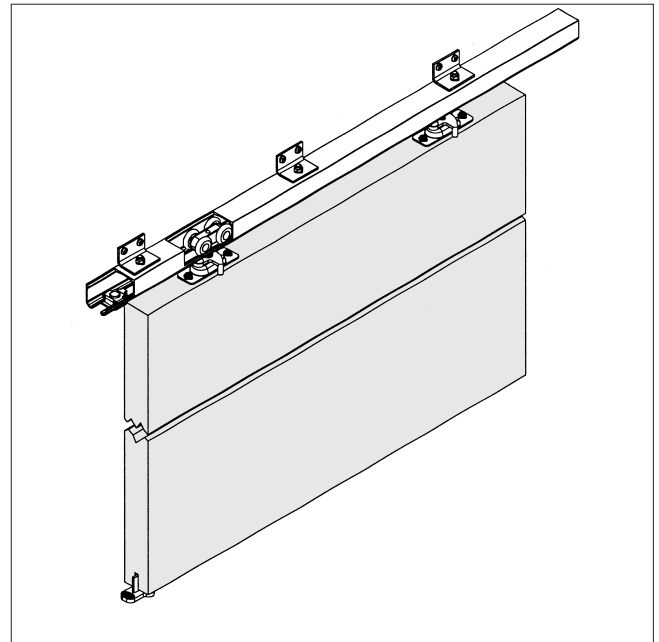
Guide in zinc plated steel, has lateral adjustment. Fits on the wall or architrave, in the overlap area, and slides through a 20mm deep by 5mm wide sawcut in the bottom rail of the door. Floor left free of hardware.

**Guide:** 104P/97

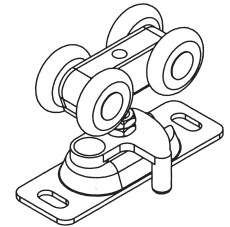
Guide for steel framed doors. Removable from above without dismantling door. Has brass roller which slides in 100 steel channel - see overleaf.

**Guide:** 106E/94

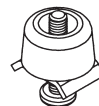
Guide for timber doors. Has a bearing which slides in 94A aluminium, 94B brass, or 94P Polypropylene channel.



No. 91 or No. 281 Bracket



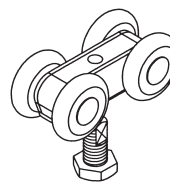
No. 284H Hanger



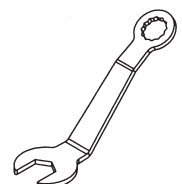
No. 287 Stop  
(Supplied in sets and packs)



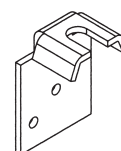
No. 255 Door Stop  
(No. 90 Track only)



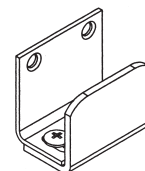
No. 285 Hanger



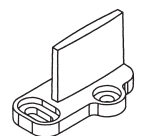
No. 812 Spanner



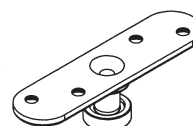
No. 285FP Face Plate



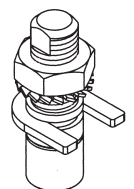
No. 102WA Guide



No. 101N Guide



No. 106E/94 Guide



No. 104P/97 Guide

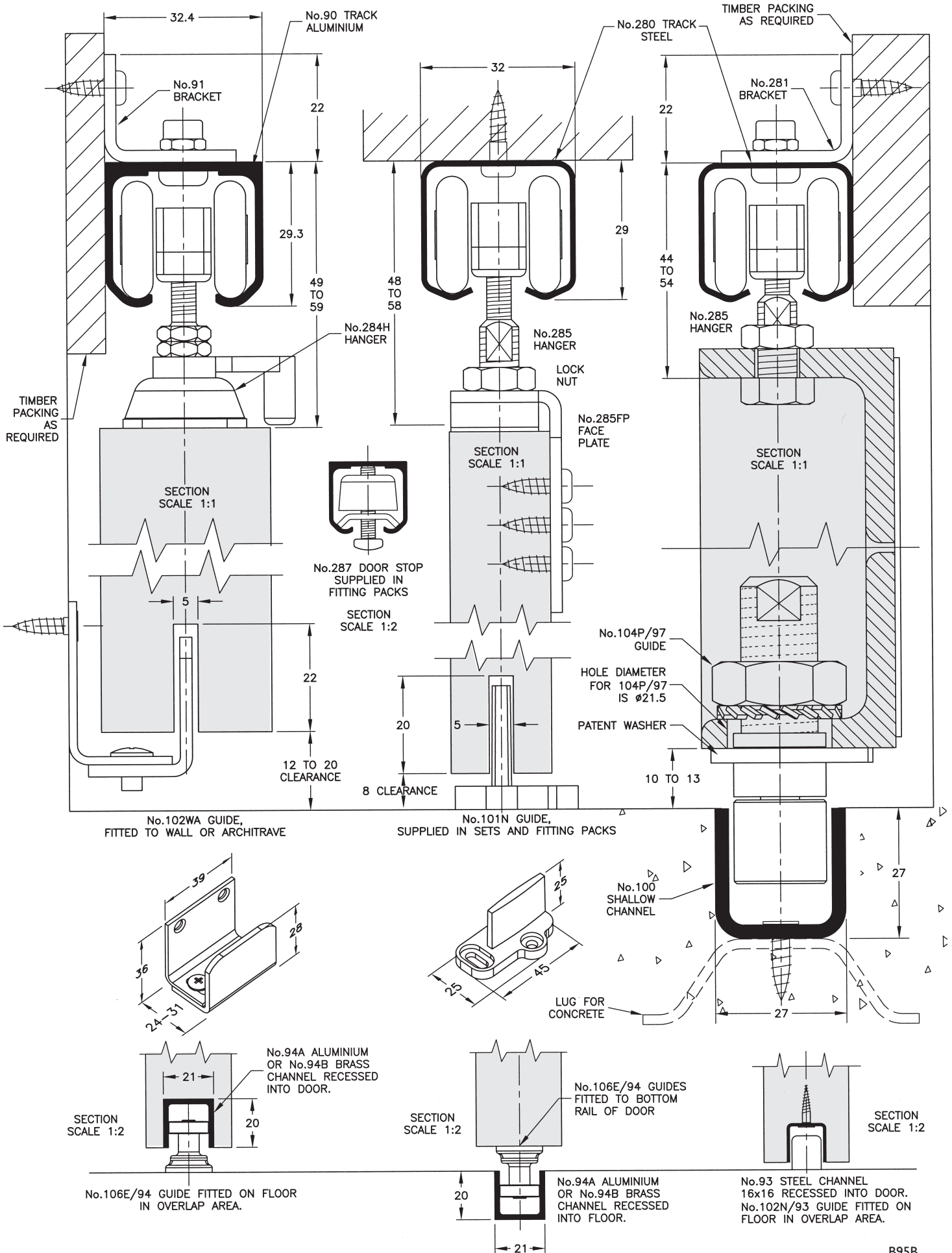
# Husky 75

FOR TOP HUNG SLIDING DOORS, MAX. 75kg EACH

# HENDERSON®

SLIDING & FOLDING DOOR HARDWARE

AUSTRALIA'S WIDEST RANGE



B95B

## HENDERSON RMD

Door Hardware Division of  
RMD PRESS CO. PTY LTD.  
ACN 004 313 937

© COPYRIGHT HENDERSON RMD

© HENDERSON IS A REGISTERED TRADEMARK OF PC HENDERSON LTD (UK)

