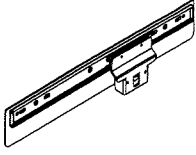
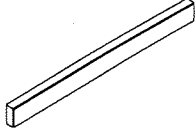
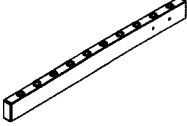

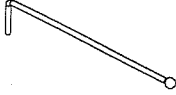
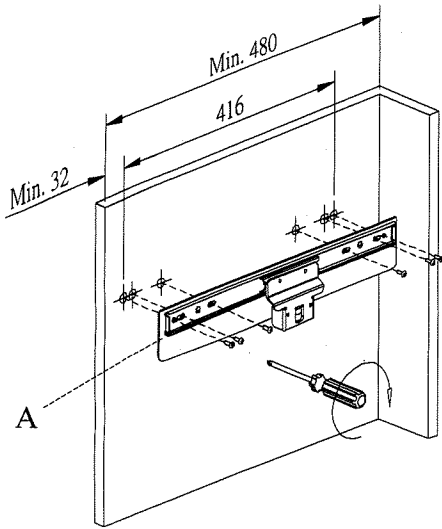


INSTALLATION INSTRUCTIONS

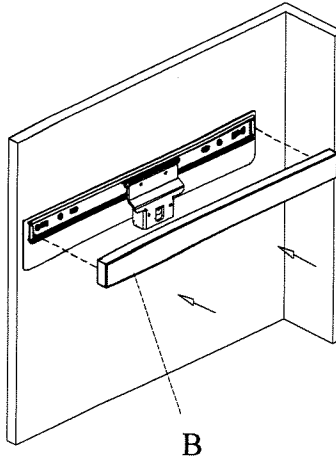
For S08170C / BN / SN / SC

A*1pc	B*1pc	C*1pc	D*2pcs	E*10pcs
				

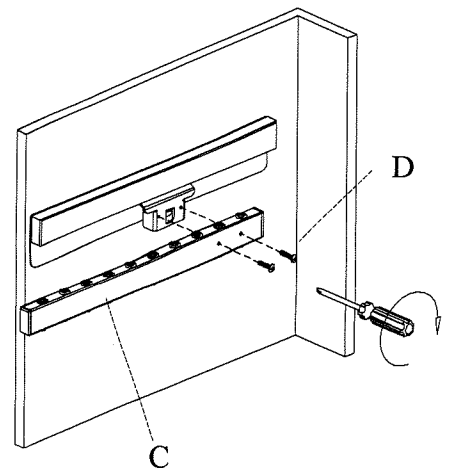
Step 1:



Step 2:

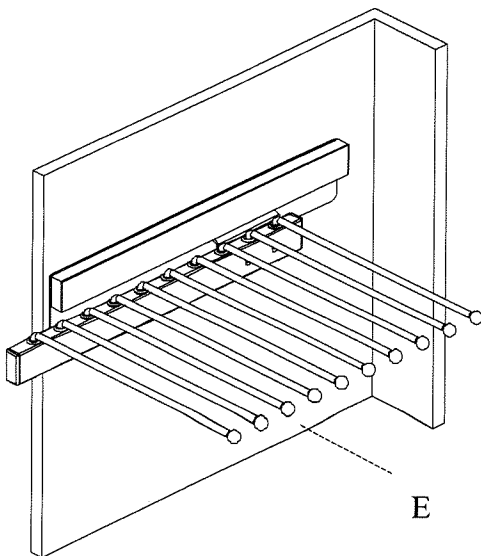


Step 3:



Finished

Left



Right

