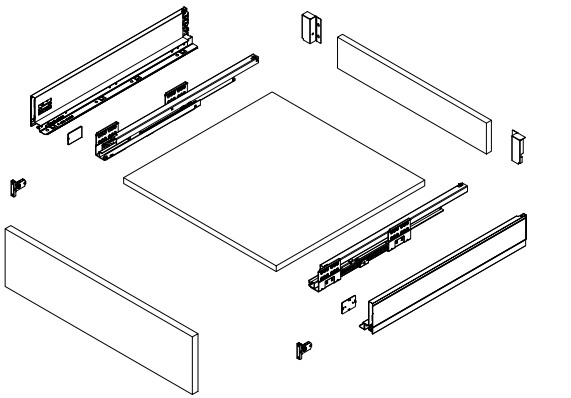


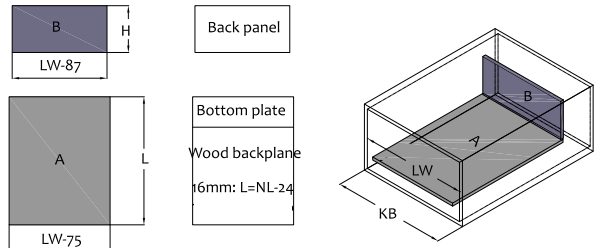
Prime SLIM Soft Closing Drawer PRMSL86/PRMSL118/PRMSL167/PRMSL199

**GALVIN HARDWARE
PRIME SL INSTALLATION INFO**

Basic components



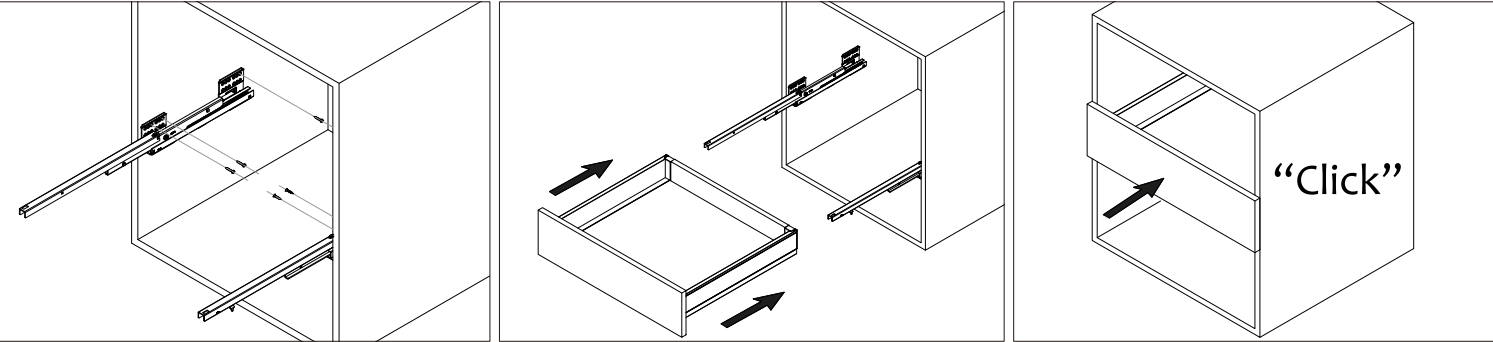
Cutting dimensions of 16mm thick MDF



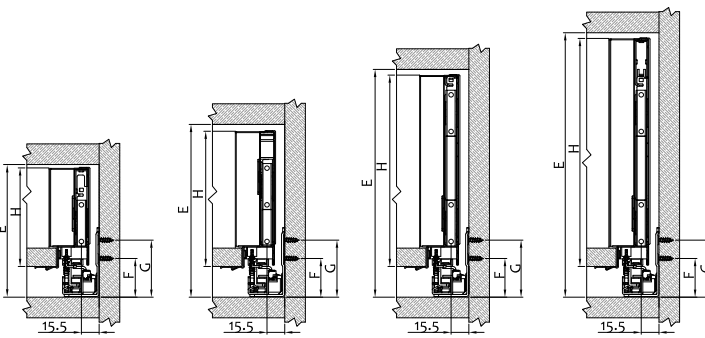
	H
PRMSL86	86
PRMSL118	118
PRMSL167	167
PRMSL199	199

KB : Cabinet width
LW : Internal cabinet width
NL : Nominal length
H : Back panel height

Drawer installation to the cabinet.

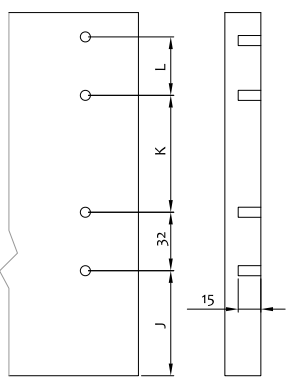


Cabinet space requirements



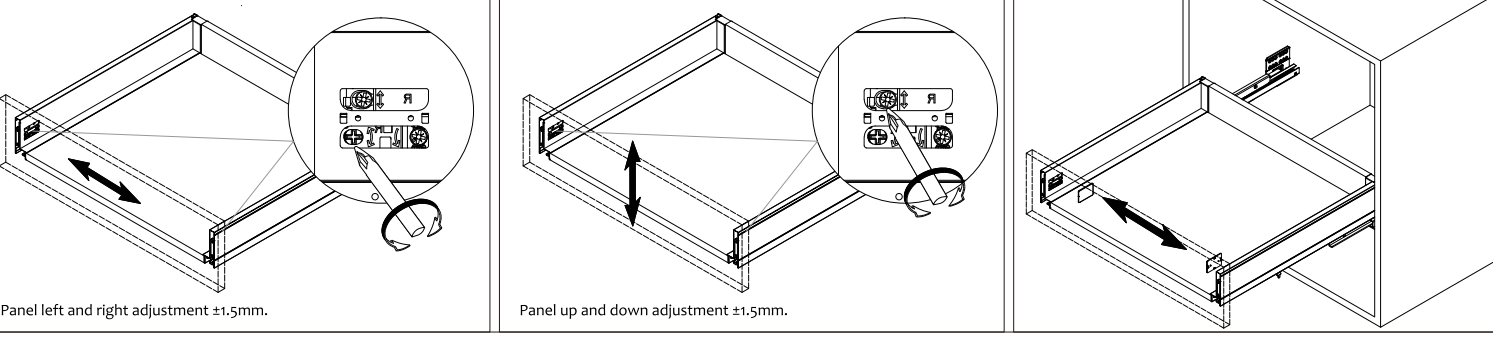
PRMSL86 PRMSL118 PRMSL167 PRMSL199

Front panel drilling dimensions



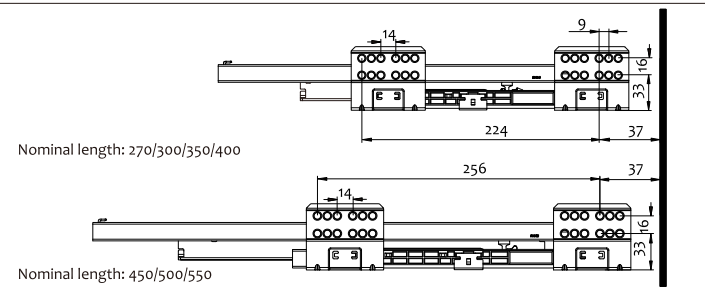
	E (min)	F (min)	G (min)	J (min)	K	L
PRMSL86	115				/	/
PRMSL118	150				32	/
PRMSL167	198	33	49	47.5	64	32
PRMSL199	230				64	32

Front panel adjustment.



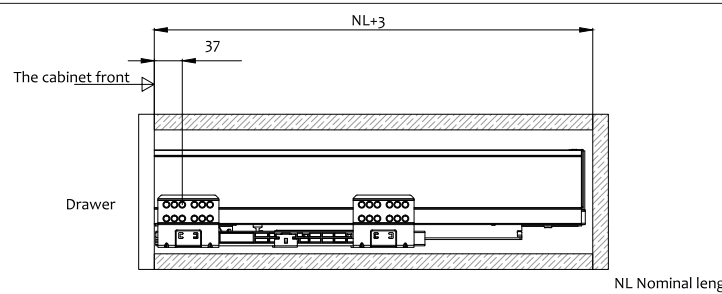
Panel left and right adjustment ±1.5mm. Panel up and down adjustment ±1.5mm.

Slide mounting hole distance



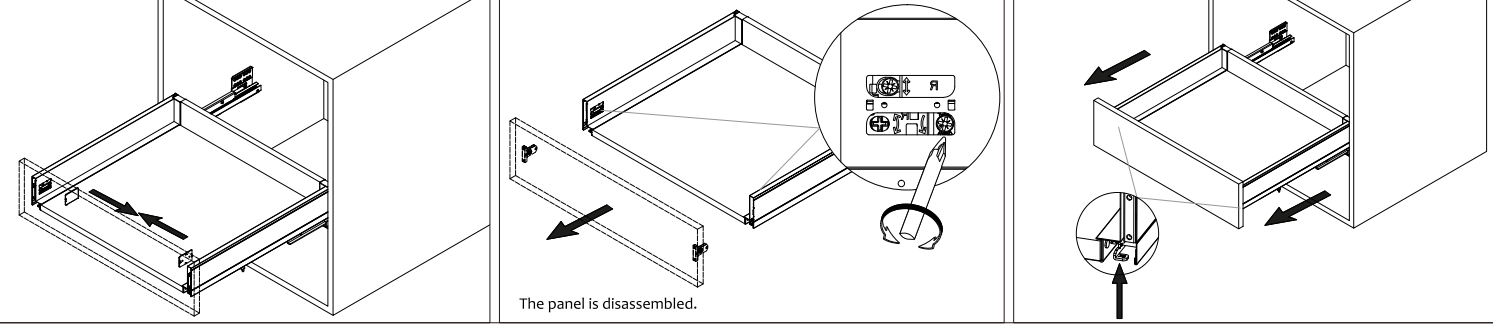
Nominal length: 270/300/350/400
Nominal length: 450/500/550

The cabinet body rail mounting dimensions



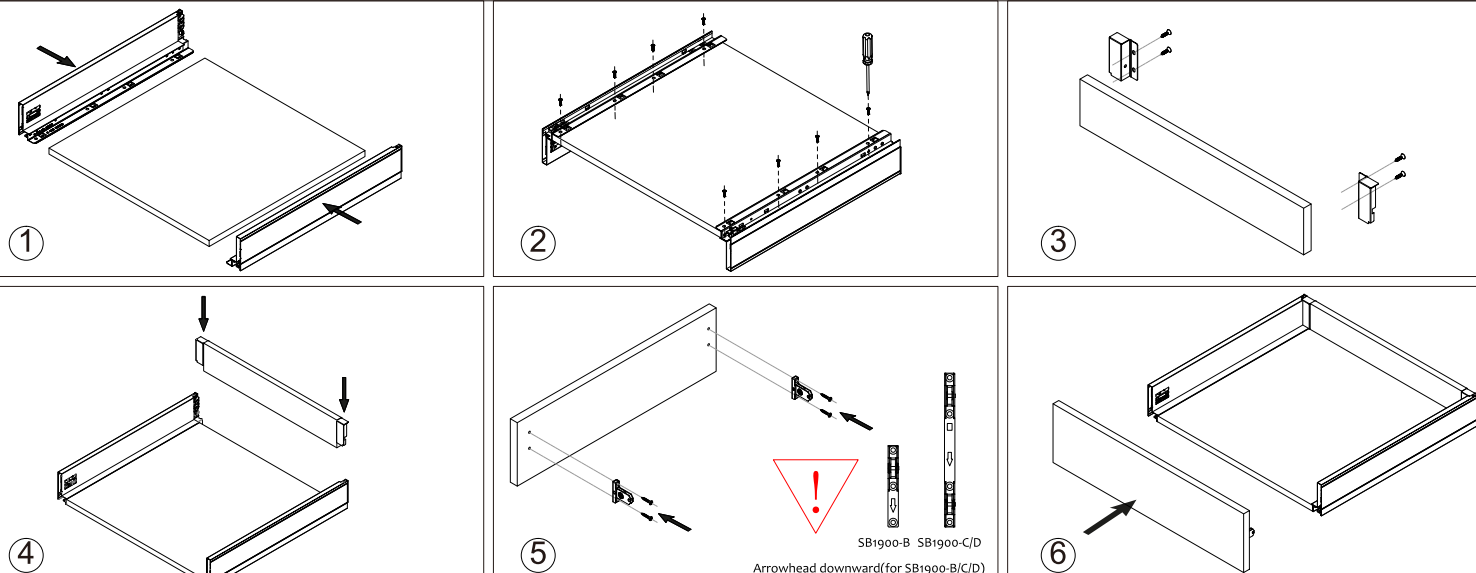
The cabinet front Drawer NL Nominal length

Drawer disassembly.



The panel is disassembled.

Drawer installation



① ② ③ ④ ⑤ ⑥

SB1900-B SB1900-C/D
Arrowhead downward (for SB1900-B/C/D)

Drawer removal

