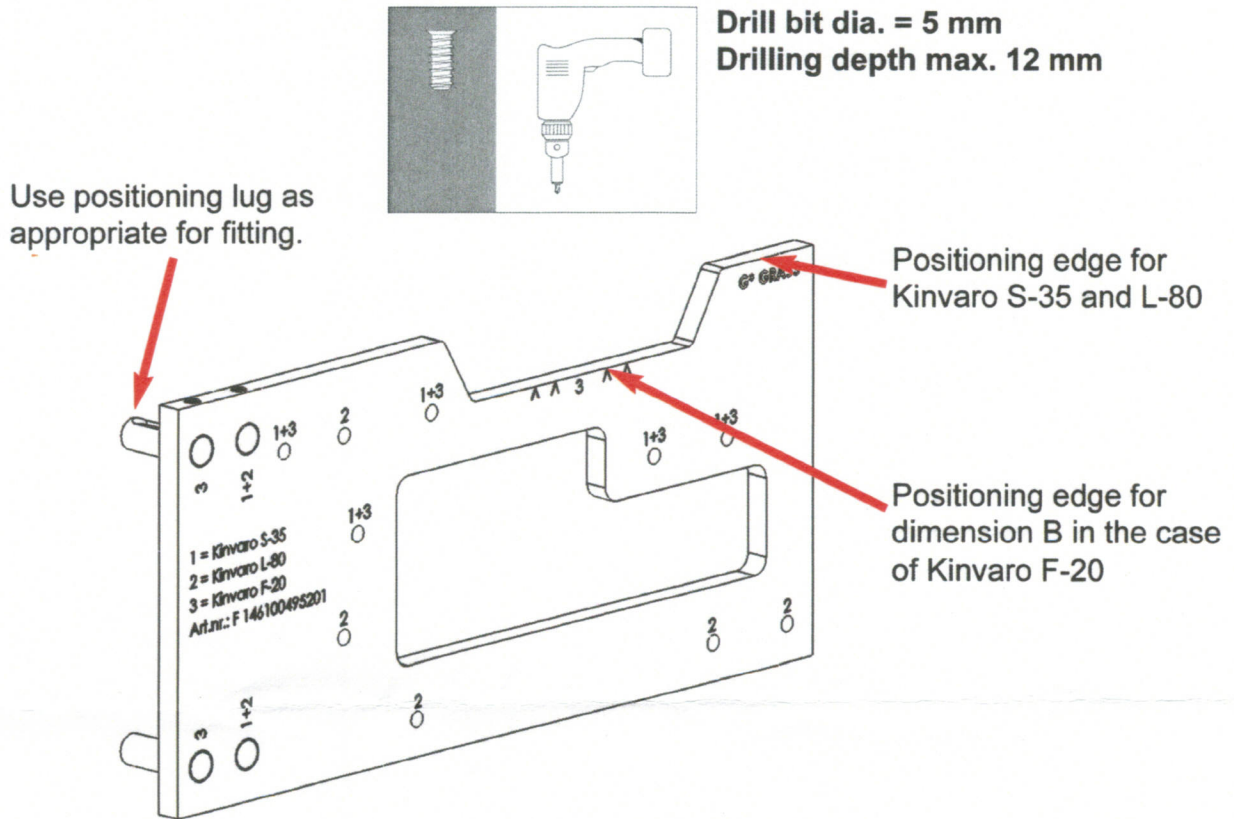


Instructions for Drilling Jig No. F 146 100495201 for Grass Kinvaro Flap Fittings S-35, L-80, F-20



Holes to be used

- 1 = for Kinvaro S-35
- 2 = for Kinvaro L-80
- 3 = for Kinvaro F-20

Accessory to be ordered separately

Drill bit with stop ring Ø 5 mm



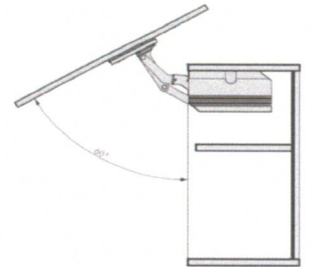
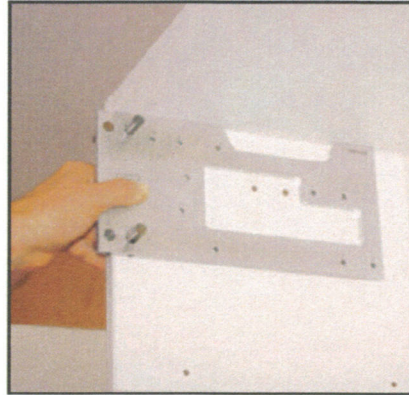
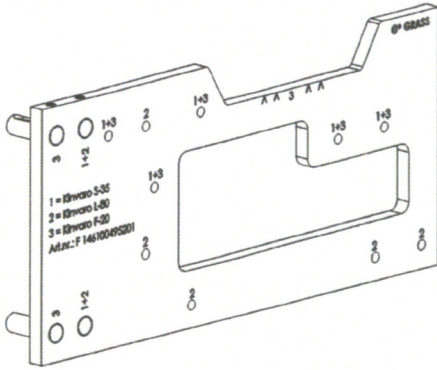
Application

To predrill holes when using Euro screws.

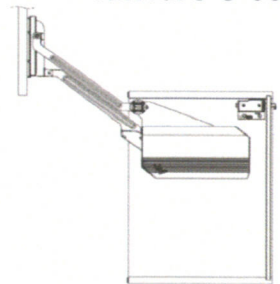
Item No. 92594

PU 1 pcs.

Instructions for Drilling Jig No. F 146 100495201 for Grass Kinvaro Flap Fittings S-35, L-80, F-20



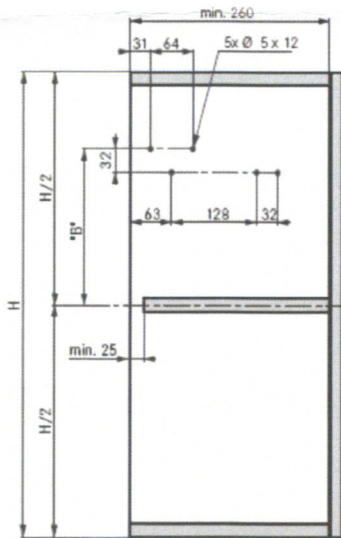
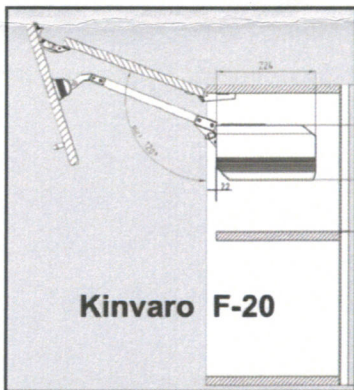
Kinvaro S-35



Kinvaro L-80

Drill bit dia. 5 mm
Drilling depth max. 12 mm
The fitting has 2 fixing lugs and 3 prefitted Euro countersunk screws.

When positioning the drilling jig against the unassembled cabinet, the thickness of the cabinet top panel has to be taken into account.



H (Höhe)	Kinvaro F-20	"B"
520 - 529	2	173
530 - 539	2	158
540 - 549	2	143
550 - 559	2	128
560 - 569	3	183
570 - 579	3	168
580 - 589	3	153
590 - 599	3	138
600 - 609	4	208
610 - 619	4	198
620 - 629	4	178
630 - 639	4	168
640 - 649	4	158
650 - 699	5	225
700 - 749	6	235
750 - 800	7	250

