

NAME:

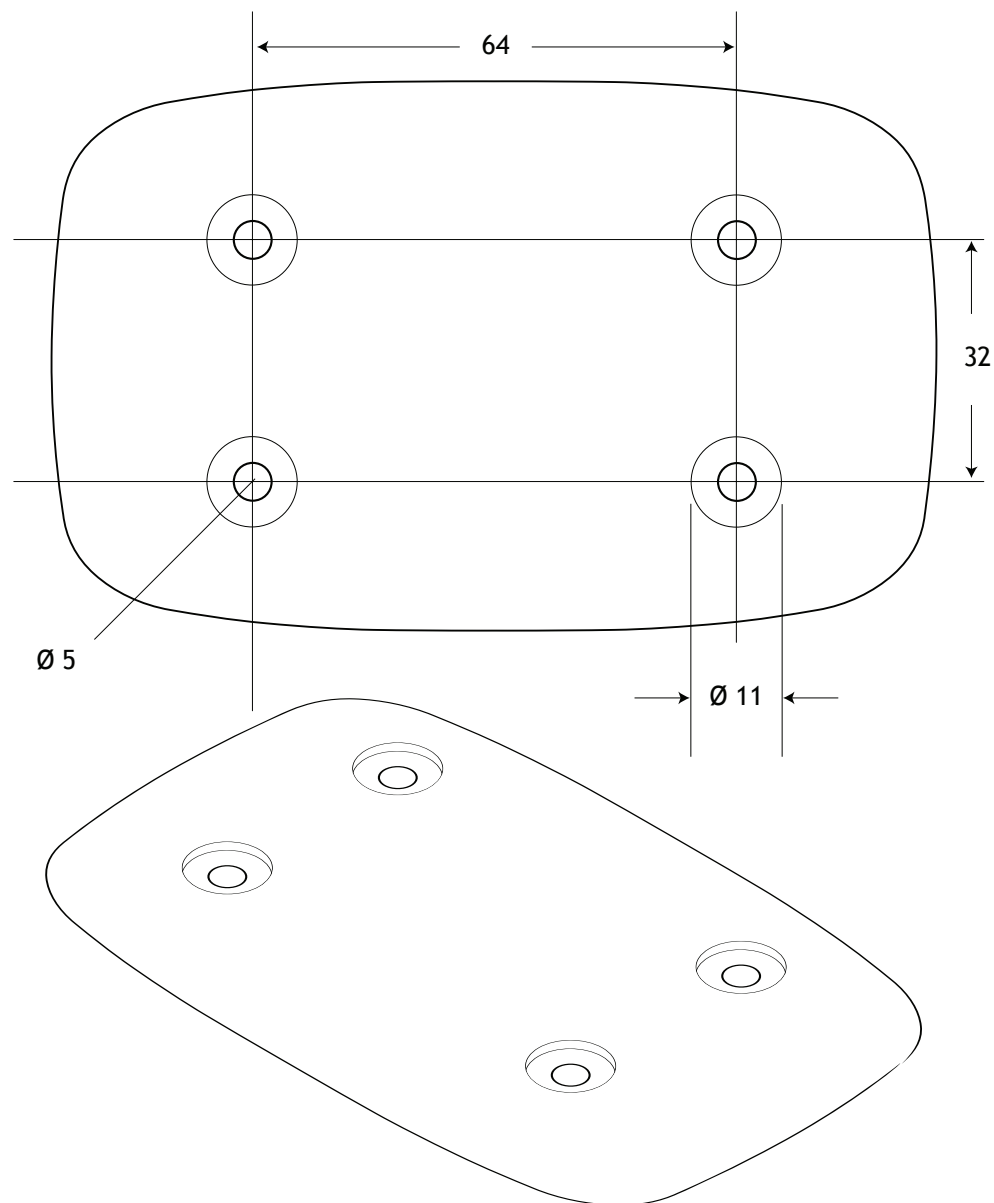
Joiner Plate

PAGE:

1 of 2

DESCRIPTION:

The joiner plate is generally used for attaching desk returns but can be used in numerous connecting applications.



NAME:

Joiner Plate

PAGE:

2 of 2

DESCRIPTION:

The joiner plate is generally used for attaching desk returns but can be used in numerous connecting applications.