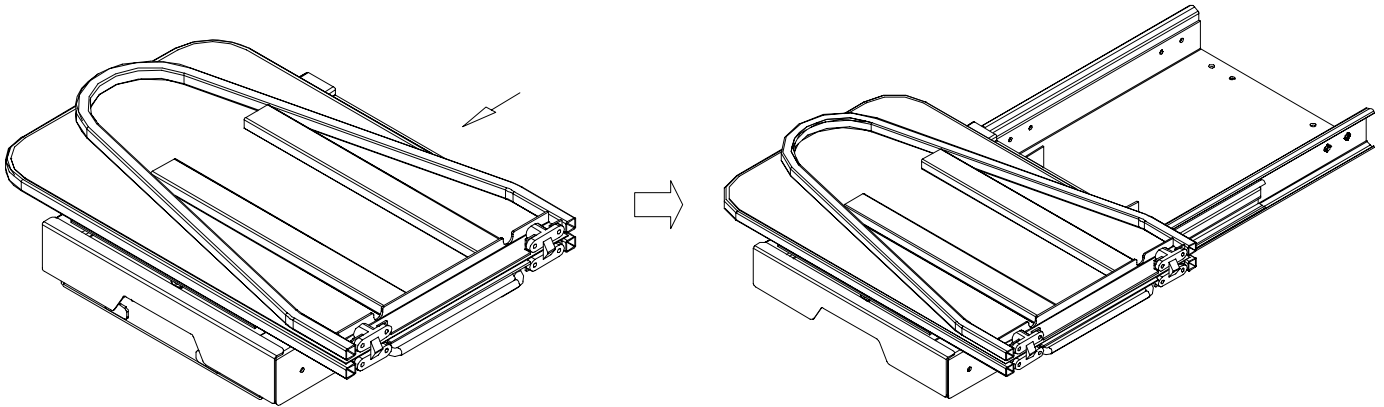


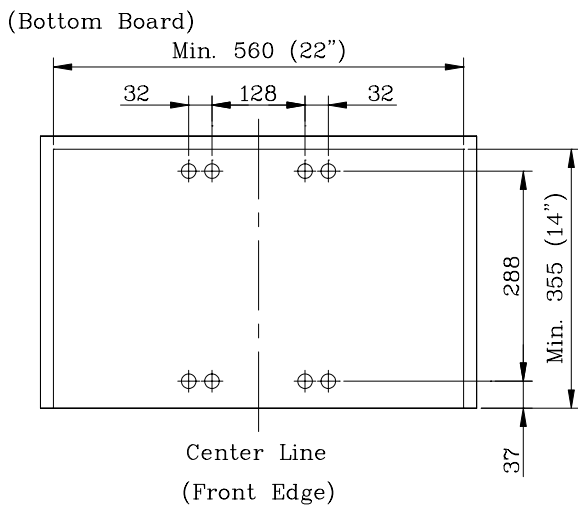
INSTALLATION INSTRUCTIONS

FOR IRONING BOARD S08560 (Using wood screws)

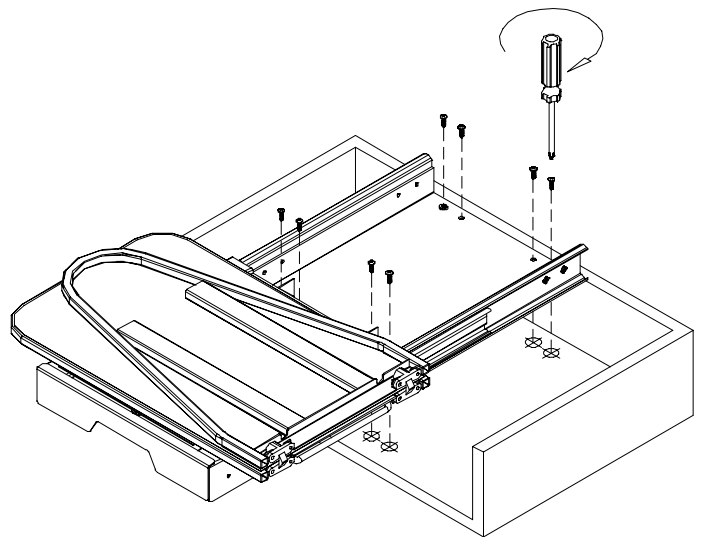
Step 1:



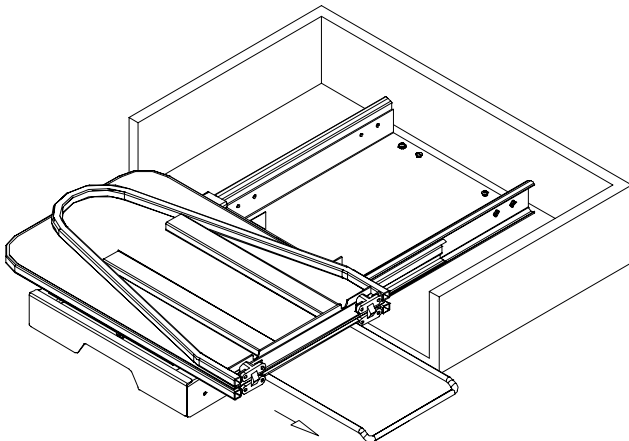
Step 2:



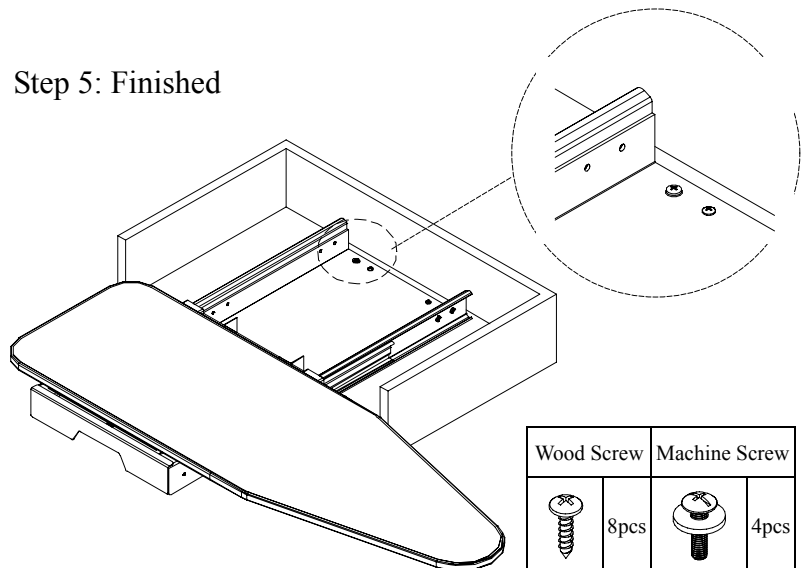
Step 3:





Step 4: Pull out support wire rack.



Step 5: Finished



Wood Screw	Machine Screw
	
8pcs	4pcs