

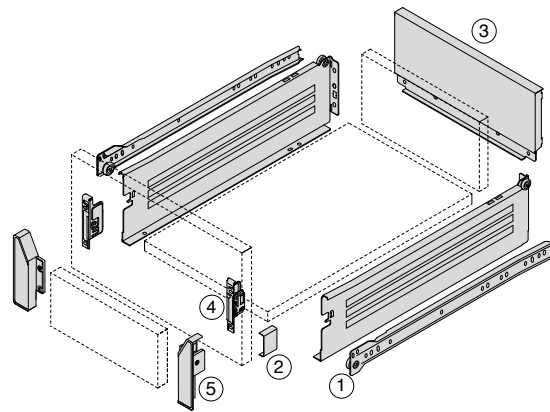
IMPAZ

Standard Drawer / Inner Drawer T - Single Extension

IMPAZ



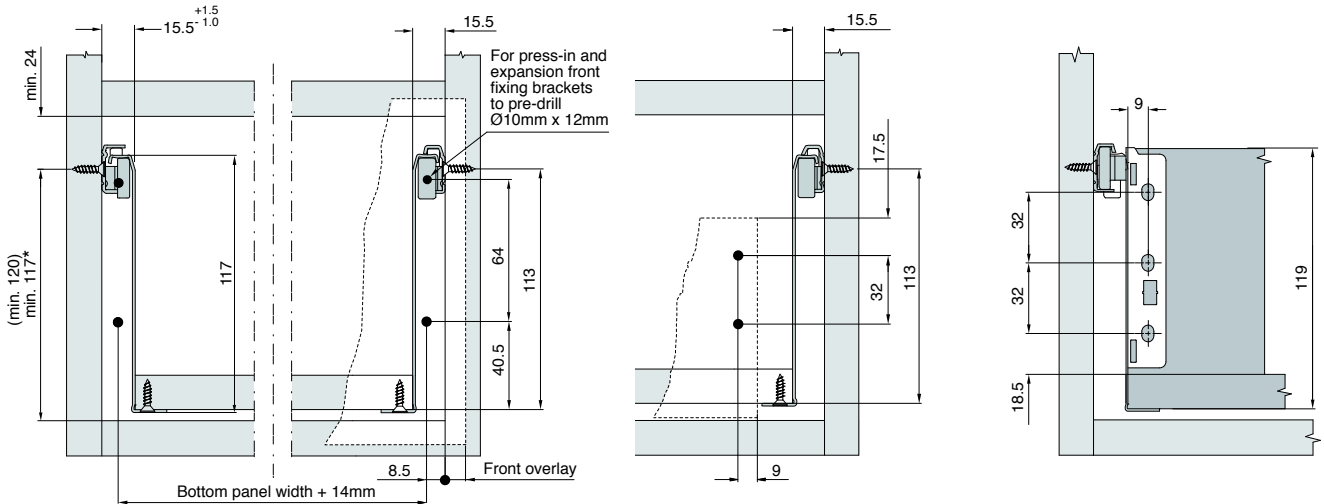
- Single extension
- Steel drawer side panels 117mm
- Epoxy coated
- Load capacity of 30kg
- Self closing feature
- Flexible 2-dimensional front adjustment
- Smooth rolling mechanism
- Double out-stop safety feature
- Locked-in position when fully extended



| | | | | |
|--------------------------------|---|---|---|-----------------------------|
| ① | | Cabinet Profile Drawer Side Left / Right : | | |
| Drawer Length | | Screw-on | Plug-in | |
| 250mm | | 4320.25.XX | 4321.25.XX | |
| 350mm | | 4320.35.XX | 4321.35.XX | |
| 400mm | | 4320.40.XX | 4321.40.XX | |
| 450mm | | 4320.45.XX | 4321.45.XX | |
| 500mm | | 4320.50.XX | 4321.50.XX | |
| 550mm | | 4320.55.XX | 4321.55.XX | |
| ② | | Cover Cap-plain for Standard brackets | | ③ |
| | | 2X | RBC.61040.XX | |
| | Cover Cap-plain for Clip-on brackets | | Cabinet Width (16mm side panel) | Article No. Standard |
| | | RBC.66040.XX | 400mm | RSB32.336.XX |
| | | Order Left & Right | 450mm | RSB32.386.XX |
| | | | 500mm | RSB32.436.XX |
| | | | 550mm | RSB32.486.XX |
| | | | 600mm | RSB32.536.XX |
| ④ - steel nickel plated | | Front Fixing Bracket - Standard | | |
| | | Screw-on | RBF.11240.NI | |
| | | Press-in | RBF.12240.NI | |
| | | Expansion | RBF.13240.NI | |
| | | | Order Left & Right | |
| | Front Fixing Bracket - Clip-on | | | |
| | | Screw-on | RBF.16040.NI | |
| | | Press-in | RBF.17040.NI | |
| | | Expansion | RBF.18040.NI | |
| | | | Order Left & Right | |
| ⑤ | | Front Fixing Bracket | | |
| | | | RBF.33040.XX | |
| | | | Order Left & Right | |

Colour Code XX
 Standard - 01 - R9010 White 21 - R7004 Grey 24 - R7037 Dust Grey
 Available upon request : 02 - R9001 Cream 22 - R9006 Grey Metallic

Inner Drawer



() Inner Drawer * Add 8mm when used with 201.000 Drawer Front Locking Piece.

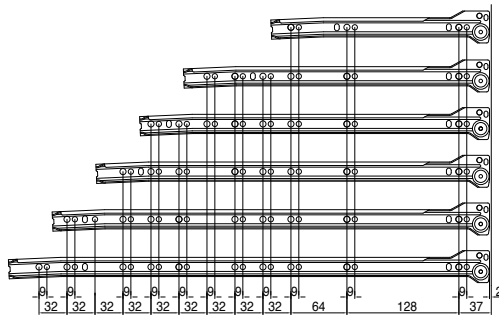
Cabinet Profile Screw Positions

Cutting Dimensions for 16mm Chipboard

Drawer Length

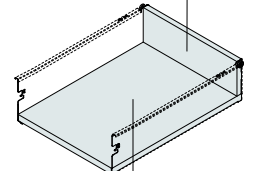
Min. Internal Cabinet Depth = Drawer Length + 3mm

- 250mm
- 350mm
- 400mm
- 450mm
- 500mm
- 550mm



Standard Drawer

Back panel
 Width = Internal cabinet width - 31mm
 Height = 103mm

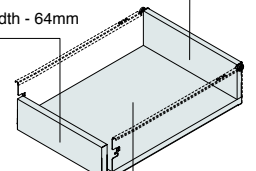


Bottom panel
 Width = Internal cabinet width - 31mm
 Length (wooden back) = Drawer length - 2mm
 Length (steel back) = Drawer length - 12mm

Inner Drawer

Back panel
 Width = Internal cabinet width - 31mm
 Height = 103mm

Front panel
 Width = Internal cabinet width - 64mm
 Height = 93mm



Bottom panel
 Width = Internal cabinet width - 31mm
 Length (wooden back) = Drawer length - 18mm
 Length (steel back) = Drawer length - 28mm

Pre-drilling Dimensions of Bottom Panel for Plug-in

Drilling Template see page 52

