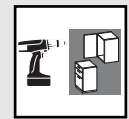
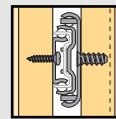


Full-extension for wooden drawers

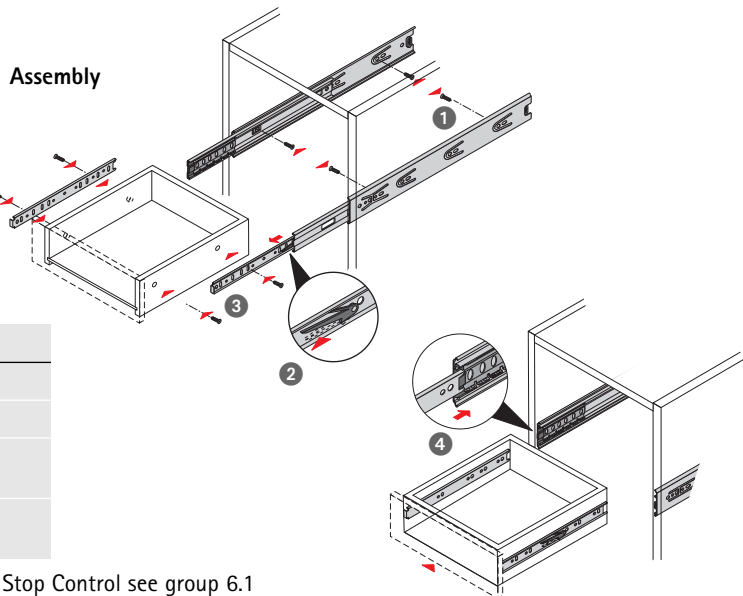
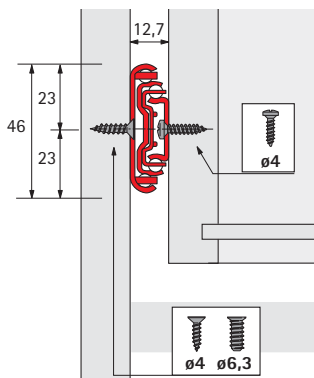
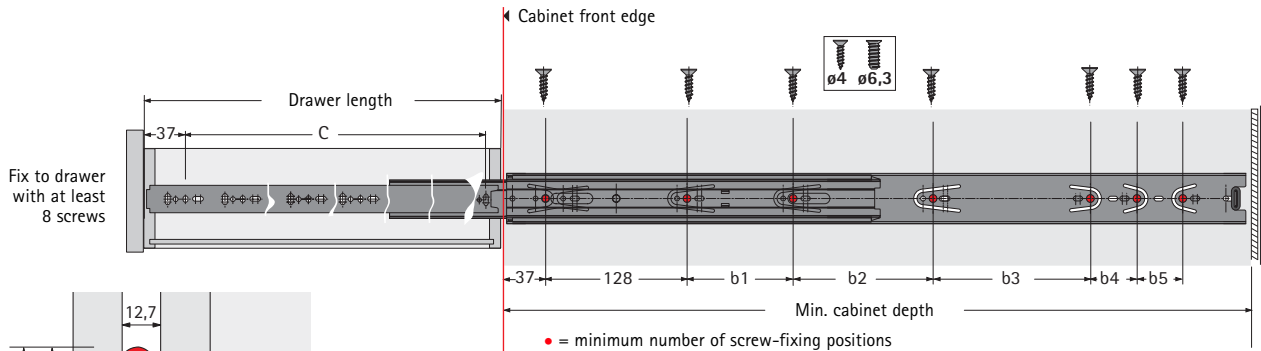
Ball bearing slide KA 5632

12,7 mm installation width, load capacity 45 kg



- Precision full-extension slide with pull-out stop and roll-out prevention
- Using a release lever, the drawer can be detached from the slide and thus removed and re-fitted with ease.
- Smooth action and high side stability through precision slide
- For wooden drawers with grooved, rebated or loosely fitted bases
- Chromated steel or black

Drawer length mm	Min. cabinet depth mm	Hole spacing mm							Order no.		PU
		b1	b2	b3	b4	b5	C	chrome-plated	black		
250	254	-	-	-	-	-	192	0 073 276	0 044 916	1 set	
300	304	96	-	-	-	-	242	0 073 277	0 044 915	1 set	
350	354	96	-	-	-	-	292	0 073 278	0 044 914	1 set	
400	404	96	96	-	-	-	342	0 073 279	0 044 913	1 set	
450	454	96	128	-	-	-	392	0 073 280	0 044 912	1 set	
500	504	96	128	64	-	-	442	0 073 281	0 044 911	1 set	
550	554	96	128	64	32	32	492	0 073 282	0 044 909	1 set	
600	604	96	128	96	32	32	542	0 073 283	0 044 908	1 set	
650	654	96	128	160	32	32	592	0 073 284	0 044 907	1 set	
700	704	96	128	192	32	32	642	0 041 355	0 044 906	1 set	



Fixing screws

	Dimensions mm	Order no.	PU
	ø 6,3 x 10,5	0 051 264	200
	ø 6,3 x 14	0 051 265	200
	ø 4,0 x 16	0 010 085	200
	ø 4,0 x 12	0 058 243	200

Ball bearing slide KA 5632 in conjunction with central locking Stop Control see group 6.1
Processing technology see group 2