

## Cam fitting Rastex 15



- With torque support – allows furniture sides to be pulled into place from distances up to 4 mm from the panel end
- Twice as secure thanks to internal and external indentations – the dowel is always pulled in to the centred position, ruling out any displacement of furniture components.
- Cam can be tightened with a slot screwdriver or crosshead screwdriver PZ 3 or Allen key SW 4
- Useable in 16, 18, or 22 mm panels
- Die-cast zinc self colour

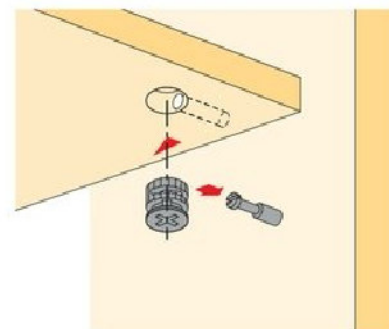
Finish	Product code	PU
For 16 mm panels	9 007 997	2000
For 18 mm panels	9 056 599	2000
For 22 mm panels	1 007 794	2000

### Cover caps for Rastex 15

- Plastic

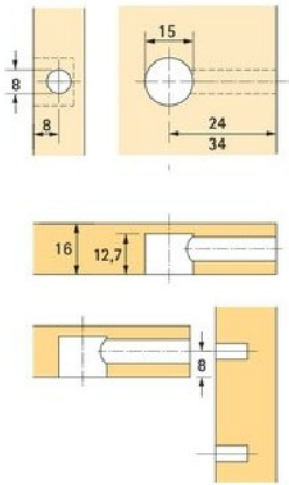


Finish	Product code	PU
white	0 071 054	200
brown	0 071 055	200
black	0 079 490	200

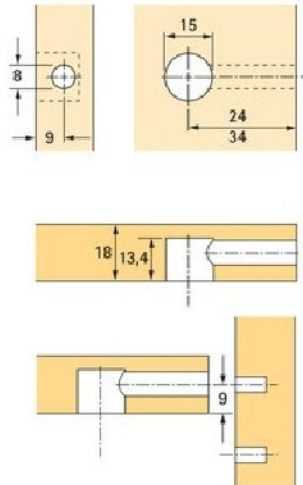


Dowels / sockets – see pages 8.2.4 – 8.2.8

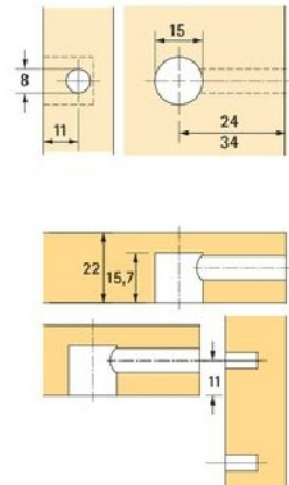
Rastex 15  
for 16 mm panels



Rastex 15  
for 18 mm panels



Rastex 15  
for 22 mm panels



**Drill bits, tungsten carbide tipped**

- Turning clockwise
- Length 57 mm
- Shaft diameter 10 mm
- Diameter 15 mm

Product code	PU
9 106 107	1