

Single-wall steel drawer system MultiTech for variable drawer widths Drawer profile height 214 mm



- Single-wall steel drawer system with roller runner as part-extension or over-extension with self-closing effect
- Load capacity 25 kg (part-extension)
30 kg (over-extension)
- No bottom panel machining
- Quick insertion and removal of the drawer
- Simple assembly and front panel adjustment
- One-sided constrained guidance, automatic tolerance compensation ± 1 mm
- Integrated double stop

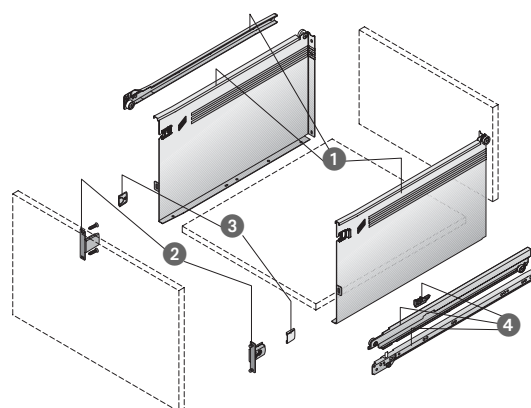
The following components are all you need for assembling a MultiTech drawer:

- ① Drawer set, height 214 mm
- + ② Front connectors
- + Bottom and rear panel, 16 mm
- Optional: ③ Cover cap
- ④ Additional set for over-extension

① Drawer set, height 214 mm contains:

- 1 set drawer profiles, powder-coated steel
- 1 set cabinet rails (part-extension), powder-coated steel

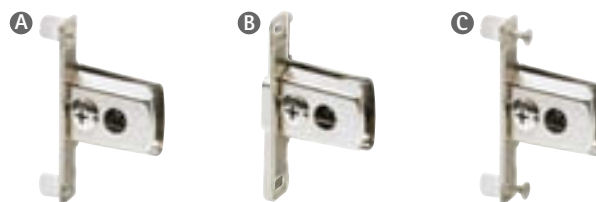
Nominal length mm	Order no.		PU
	white	grey	
350	0 051 457	0 051 458	1/5 sets
400	0 051 449	0 051 450	1/5 sets
450	0 051 451	0 051 452	1/5 sets
500	0 051 453	0 051 454	1/5 sets
550	0 051 455	0 051 456	1/5 sets



② Front connectors

- Nickel-plated steel

Assembly	Order no.	PU
A Press-in	0 054 998	1/20
B Screw on	0 054 997	1/20
C With expanding sockets	0 051 477	1/20



③ Cover cap

- Plastic



Finish	Order no.	PU
white	0 046 096	1/20
grey	0 046 097	1/20

Cover caps with customised imprint available on request

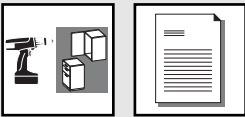
④ Additional set for over-extension contains:

- 1 set cabinet rails, powder-coated steel
(The cabinet rails from the drawer kit must not be used!)
- 1 set centre profile, powder-coated steel
- 1 set safety catch, plastic



Nominal length mm	Order no.		PU
	white	grey	
350	0 051 478	0 051 479	1/10 sets
400	0 051 409	0 051 410	1/10 sets
450	0 051 411	0 051 412	1/10 sets
500	0 051 413	0 051 414	1/10 sets
550	0 051 415	0 051 416	1/10 sets

Technical information see page 5.3.20



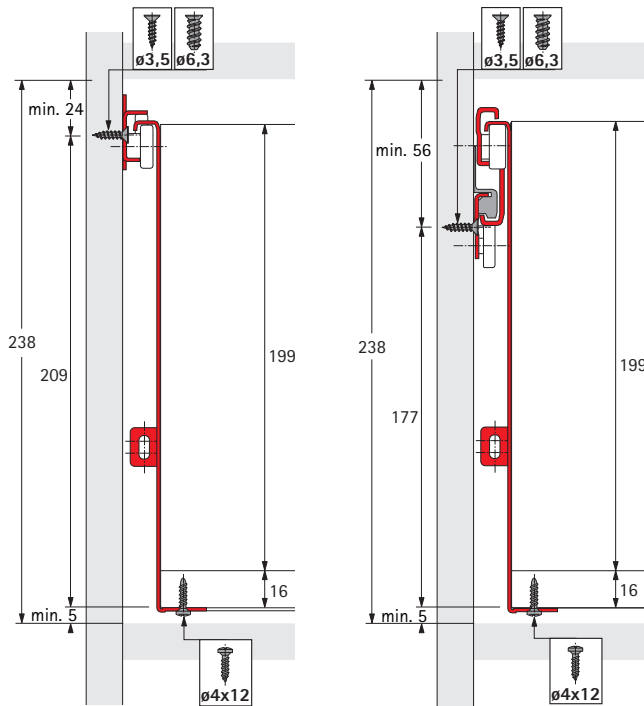
Single-wall steel drawer system MultiTech for variable drawer widths Drawer profile height 214 mm

Hole position

Roller runner/minimum installation height

Part-extension

Over-extension



For further details see page 5.3.15

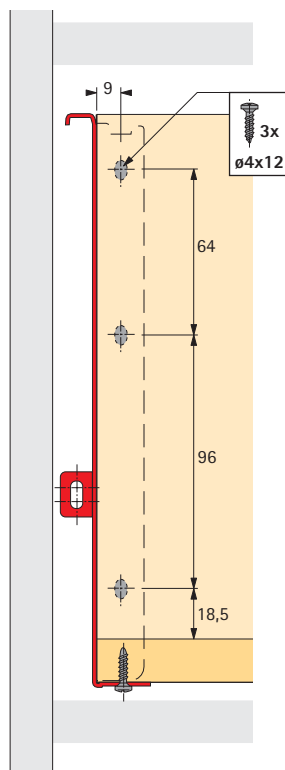
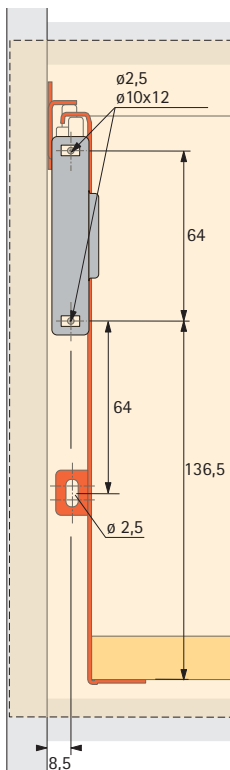
Fixing screws

	Dimensions mm	Order no.	PU
	ø 6,3 x 10,5	0 051 264	200
	ø 6,3 x 14	0 051 265	200
	ø 3,5 x 12	9 079 791	200
	ø 3,5 x 16	0 071 925	200
	ø 4,0 x 12	0 058 243	200

Hole position Front connectors

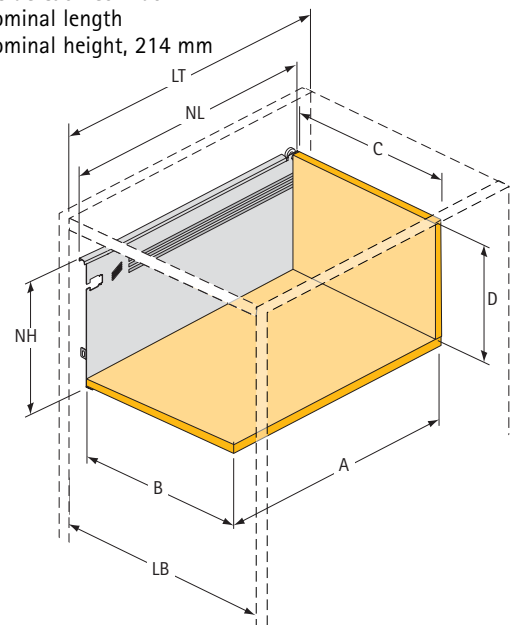
Hole position Rear panel

Drawer



Dimensions

LB = inside cabinet width
NL = nominal length
NH = nominal height, 214 mm



Size	Drawer
A Shelf depth	NL - 3
B Shelf width	LB - 32
C Rear panel width	LB - 32
D Rear panel height	199
LT Inside cabinet depth	min. NL + 5

Processing technology see group 2