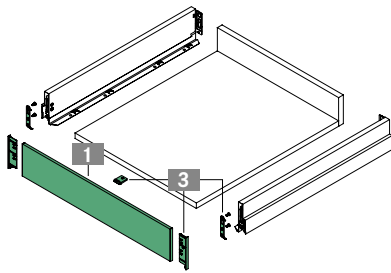


# NOVA PRO SCALA

F8 inset panel for cutting to length – set pack

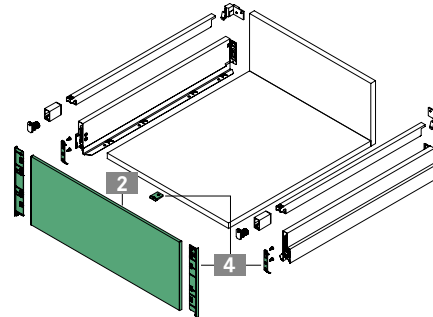
F8 inset panel for inset drawer H90



The following is required:

- 1 x 1
- 1 x 3

F8 inset panel for inset drawer H90 with rectangular railing



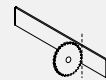
The following is required:

- 1 x 2
- 1 x 4

## ORDER INFORMATION

### 1 F8 inset panel for inset drawer H90

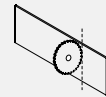
Single item: for cutting to length incl. cardboard drilling template



L	Stone		Ice		Silver					
	Art.-no.	PU	Art.-no.	PU	Art.-no.	PU				
1160	F102101371	511	F102105357	511	F102105069	511				

### 2 F8 inset panel for inset drawer H186, rectangular railing, Crystal and Crystal Plus

Single item: for cutting to length incl. cardboard drilling template



L	Stone		Ice		Silver					
	Art.-no.	PU	Art.-no.	PU	Art.-no.	PU				
1160	F102101379	507	F102105358	507	F102105070	507				

### 3 Accessories F8 inset panel for inset drawer H90

Set: F8 cover cap (2x), installation hook (2x), special screws (4x) and front-bottom connector (2x)



H	Stone		Ice		Silver					
	Art.-no.	PU	Art.-no.	PU	Art.-no.	PU				
H90	F102109510	517	F102109511	517	F102109512	517				

### 4 Accessories F8 inset panel for inset drawer H90 with rectangular railing

Set: F8 cover cap (2x), installation hook (2x), special screws (6x) and front-bottom connector (2x)



H	Stone		Ice		Silver					
	Art.-no.	PU	Art.-no.	PU	Art.-no.	PU				
H186	F102109516	517	F102109517	517	F102109518	517				

## PAGE REFERENCES

Drawer sides	13	Steel back panels	58	Sensomatic	79
Slides	34	Designer panels	62	Organising systems	101
Inset panel set	42	Accessories	64	Assembly technology	114