

90cm Gas on Glass Cooktop

COOKTOP

PRODUCT CODE: **ECT900GBK2**



FEATURES:

- + 5 Gas burners
- + Includes left side wok burner
- + Front control knobs
- + 1 touch electric ignition
- + Non-slip cast iron trivets
- + Wok support trivet included
- + Easy clean surface
- + Flame failure safety device
- + Natural gas or LPG (Jets included)
- + Modern design glass cooktop

CAST IRON TRIVETS

Non-slip cast iron trivets are standard with this cook top and removable for easy cleaning.

GAS ON GLASS

The best of both worlds. The efficiency of gas, combined with the easy clean glass cook top, the non-porous glass surface makes cleaning this unit simple and easy.

FLAME FAILURE SAFETY DEVICE

The flame failure device is a safety mechanism which ensures the gas is automatically turned off in the case of the flame extinguishing.

ONE TOUCH ELECTRONIC IGNITION

This gas cooktop uses a one-touch electronic ignition system. Simply push down the knob and turn to the desired setting, the flame will ignite automatically.

SPECIFICATIONS:

Electrical Requirements	Cooktop is supplied with 10 amp plug & cord.
Voltage	220V-240V
Frequency	50Hz-60Hz
Gas Rated Pressure:	Natural 1.00kPa / LPG 2.75kPa
Gas Burners:	
- Front Right (Semi Rapid)	Natural 6.3 MJ/h / LPG 6.3 MJ/h
- Rear Right (Semi Rapid)	Natural 6.3 MJ/h / LPG 6.3 MJ/h
- Left (Ultra Rapid - Wok)	Natural 12.96 MJ/h / LPG 12.96 MJ/h
- Front Centre (Auxiliary)	Natural 3.6 MJ/h / LPG 3.6 MJ/h
- Rear Centre (Rapid)	Natural 10.8 MJ/h / LPG 10.8 MJ/h
Weight	20kg gross
Product Dimensions	W860mm x H90mm x D510mm

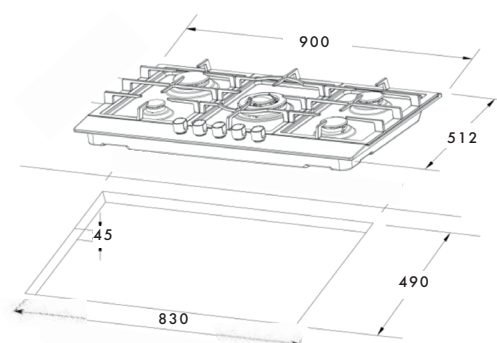


eurocooking



Warranty

INSTALLATION DIAGRAM



CLEANING AND MAINTENANCE

- Cleaning operations must only be carried out when the appliance is completely cool.
- Clean the appliance regularly, preferably after each use
- Abrasive cleaners or sharp objects will damage the appliance surface; you should clean it using water and a little washing up liquid

SAFETY INFORMATION

- Do not use this appliance if it comes in contact with water. Do not operate this appliance with wet hands
- The heating and cooking surfaces of the appliances become hot when in use, take all due precautions.
- Unstable pans should not be used on the appliances as they can cause an accident by tipping or spillage.
- Never leave the appliance unattended when cooking.
- Please refer to the manual for more information

euroappliances

EMBRACE QUALITY + PASSION

CUSTOMER SUPPORT TOLL-FREE **1800 440 335**

DISCLAIMER: Please note that the measurements and model appearances may change at any time. Euro Appliances reserves the right to change the specifications without notice.

www.euroappliances.com.au

cooking | laundry | refrigeration | alfresco