

# 30cm Ceran Touch Electric

## COOKTOP

PRODUCT CODE: ECT32C



### FEATURES:

- + Easy clean Ceran glass cooktop
- + 2 rapid elements with temperature control
- + Sensor touch control
- + Electric cooktop
- + "On" indicator light
- + Square edge design

### 2 RAPID ELEMENTS

To ensure rapid heat time this cooktop is fitted with 2 rapid elements.

### SMOOTH CERAN GLASS COOKTOP

A high grade ceran glass is used for this cooktop to ensure easy cleaning of the smooth ceran surface.

### SPECIFICATIONS:

<b>Electrical Requirements</b>	15Amp dedicated circuit from cooktop to main switchboard
<b>Voltage:</b>	220V - 240V
<b>Frequency:</b>	50Hz
<b>Total rated load:</b>	3.0Kw
<b>Burner:</b>	
<b>Large Element</b>	1800W (180mm Diameter)
<b>Small Element</b>	1200W (145mm Diameter)
<b>Weight</b>	9.0kg gross/ 8.0kg net
<b>Product Dimensions</b>	W288mm x D520mm
<b>Barcode</b>	9347726013473

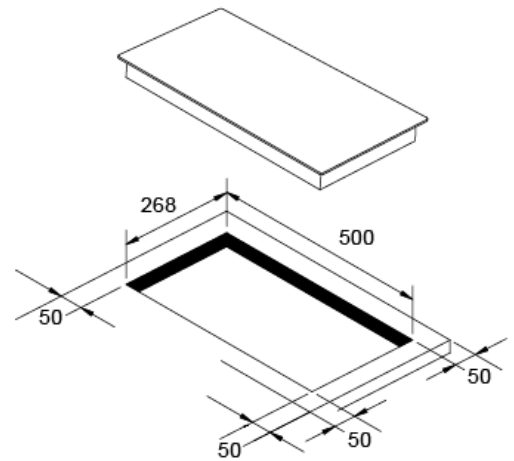


eurocooking

**3**  
YEARS

Warranty

### INSTALLATION DIAGRAM



### TIPS FOR BETTER USE

- + Always use pans with a flat base to ensure even contact with the hotplate
- + The correct size of pan should be used so that the whole of the hot plate is covered
- + Never switch on the hot plate without a pan in position as the hot plate can become distorted
- + To ensure even contact and to prolong the life of hotplates, the base of the pans should be kept clean and dry
- + Take care never to reach over the hot plate
- + Allow time to cool before attempting to clean