

# 90cm Dual Fuel Royal Chiantishire

## FREESTANDING OVEN

PRODUCT CODE: **ECSH900SX**



eurocooking



### FEATURES:

- + 8 multi-functions
- + 5 gas burners includes left side wok
- + Cast iron trivets
- + Flame failure device
- + Analogue Clock
- + Mini splashback included
- + Lower storage compartment
- + Made in Italy

**2**  
YEARS  
Warranty

### 8 MULTI-FUNCTIONS:



#### CONVENTIONAL

This method of cooking provides traditional cooking with heat from the top and lower elements. Particularly suitable for traditional roasting and baking on the centre shelf only.



#### FULL GRILL

Full grill is the perfect option for quick grilling. Toast your favourite meals or finish off the tops of your recipes.



#### DEFROST

In defrost mode, no heating elements are used. Only the fan is activated to circulate air inside the oven for defrosting. It defrosts food up to 30% faster than traditional methods.



#### HALF GRILL

Half grilling allows you to toast / brown all your favourite recipes at lower heat



#### OVEN LIGHT

The oven light will automatically turn on once any function is selected, helps to monitor the progress of your cooking.



#### FAN FORCED COOKING

For the ultimate roast or perfect batch of pastries. The element surrounding the fan delivers even heat for even cooking results, approx. 160°C - 180°C is recommended.



#### FAN GRILL

This function is perfect for fish, chicken Fillets or meat Cutlets. This Combination is exceptional for cooking meats such as poultry, game and roasts, making them crispy on the outside and tender in the middle. The door can be left closed whilst grilling and Browning will occur from the top element.



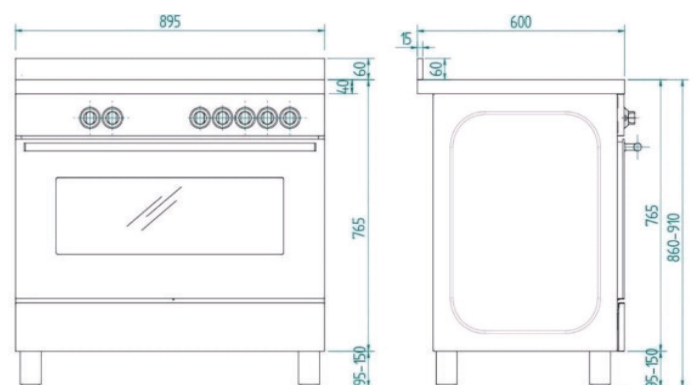
#### FAN AND BOTTOM ELEMENT

Great for pizza cooking, the fan and bottom element creates the perfect cooking function for base cooked food.

### SPECIFICATIONS:

<b>Electrical Requirements</b>	This oven requires a 15 AMP wiring connection and a dedicated circuit from the socket to main switchboard.
<b>Power Consumption</b>	2800W
<b>Oven Volume Capacity</b>	105 Litres (gross) - 95 Litres (net)
<b>Weight</b>	87.8kg (gross) - 79.0kg (net)
<b>Gas Rated Input</b>	Natural gas : 41.9 MJ/h LPG gas: 42.1 MJ/h

### PRODUCT DIMENSIONS:



### CLEANING AND MAINTENANCE

Easy clean AAA grade enamel interior.  
Clean stainless steel using only recommended stainless steel cleaning products. No abrasives, corrosive detergents, bleaches or acids not required for cleaning the oven.