

4 Burner Built-In + Hood BARBECUE

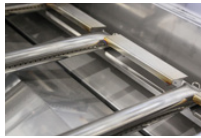
PRODUCT CODE: **EAL900RBQ**



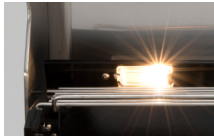
One Touch
Battery
Ignition



Light
Switch



304 Grade Stainless
Steel Tube Burners



Internal Lights



304 Grade Stainless
Steel flame tamers

FEATURES:

- + 4 gas burner unit with hood
- + 304 grade stainless steel, double skin hood, cooking chassis, tube burners, flame tamers, fire box
- + 1 Reversible cast iron cooking grill
- + 1 Reversible cast iron griddle plate
- + 1 x stainless steel Warming rack
- + Easy removable drip tray
- + Push button battery ignition
- + LPG jets fitted
- + Natural gas conversion (Optional)
- + BBQ cover included

SPECIFICATIONS:

Cooking Area	W660mm x D455mm
Lid Type	Hood
No. of Burners	4
Plate and Grill	Cast Iron
Stainless Steel Grade	304
Weight	52.0kg gross / 40.0kg net
Total Gas Consumption	52.0 MJ/h LPG / 44.0 MJ/h natural
Main Burners Gas Consumption	13.0 MJ/h (1200 BTU) LPG / 11.0 MJ/h natural

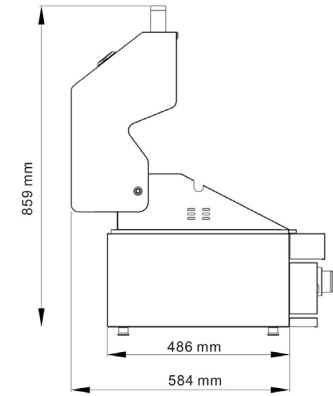
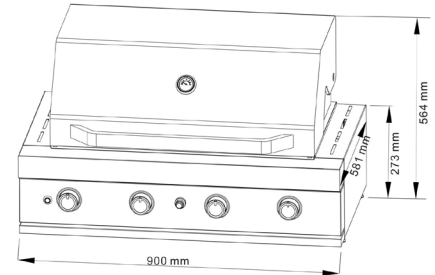


eurolfresco



Warranty

PRODUCT DIMENSIONS



INSTALLATION INFORMATION

Warning: These BBQ's are only to be used outdoors, they must not be used indoors. If storing indoors, remove the gas cylinder. The BBQ can be used/installed in an alfresco area in accordance with the following: Alfresco area must comply with the definition of an outdoor area in AS4557:2004 clause 1.2.46 - Natural gas BBQ's must be installed only by an authorized person- Clearances to combustible materials must be maintained. - If installed below a rangehood, the minimum distance from the cooking grid/plate to the rangehood is 1200mm - Refer to instruction manual for further details.

ACCESSORY INFORMATION

Natural gas jets kit code: EALNGCK
(set of natural gas jets to be ordered separately)

IMPORTANT INFORMATION

For natural gas conversion, please refer to Instruction manual and must be installed by an authorised person. Propane gas bottle not included.