

# UNIDUCT<sup>®</sup>

## RANGEHOOD DUCTING

### 1636 FLEXIBLE DUCT KIT (Ø 125)

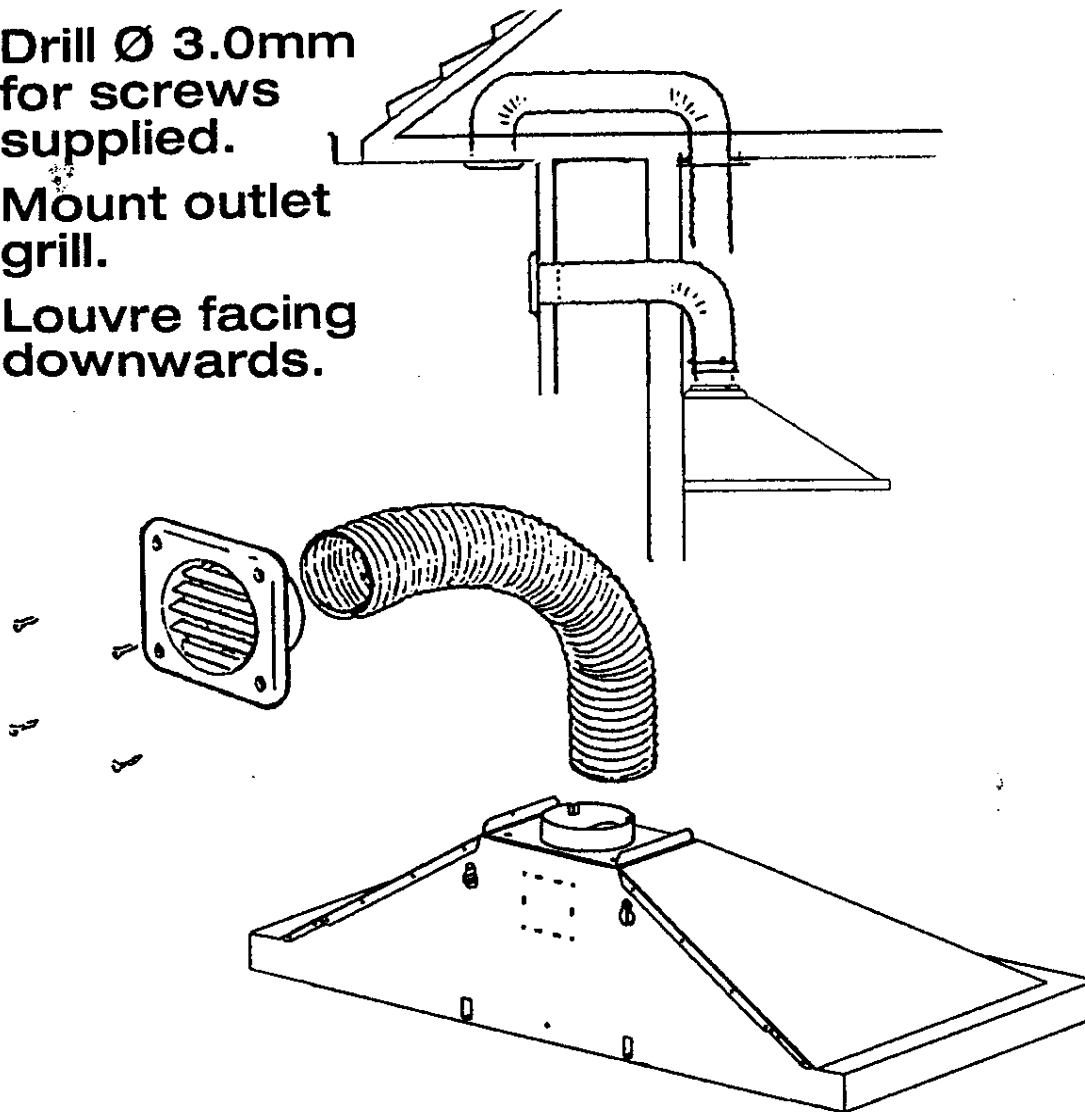
### INSTALLATION SHEET

Cut hole Ø  
130mm  
minimum.

Drill Ø 3.0mm  
for screws  
supplied.

Mount outlet  
grill.

Louvre facing  
downwards.



- Keep flexiduct as tight as possible.
- Cut off excess.
- Fit flexiduct to rangehood outlet.
- Use cable tie supplied to secure.