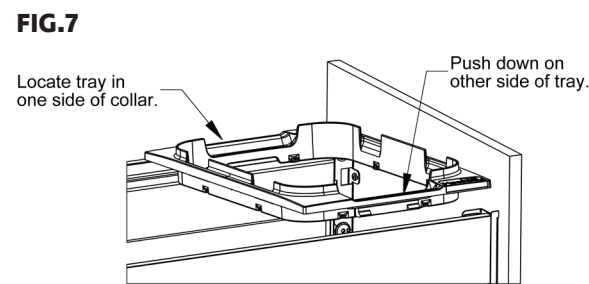
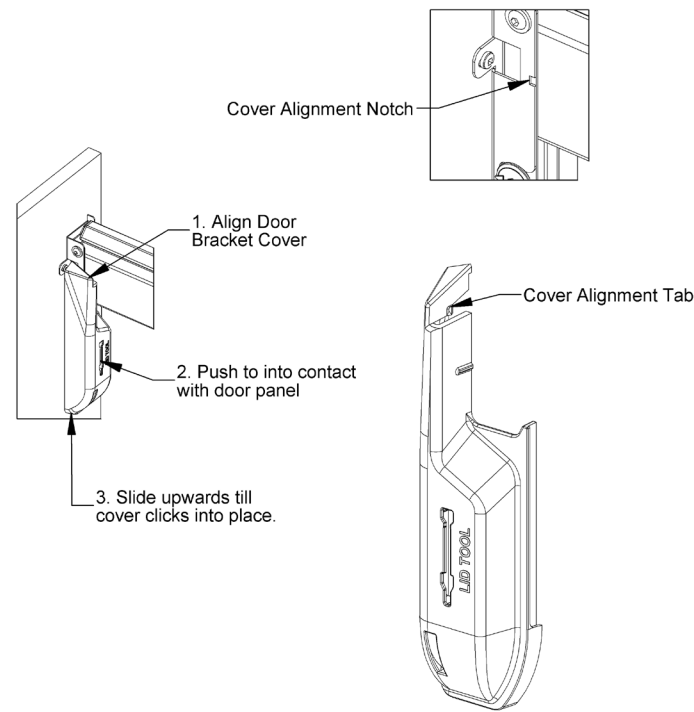


FIG.6
Door Bracket Cover Installation



Step 8 – Fit the door bracket covers

Refer to Fig. 6

Step 9 – Install internal trays, buckets and liner holders

- Install internal trays, refer to Fig. 7.
- Once completed, install buckets into the internal trays.
- Once completed, install the liner holders on top of the bucket rims.

Step 10 – Install Active Lid

Refer to Fig. 8a & 8b

- Open the bin unit fully. Check the liner holders are correctly in place on top of the buckets.
- Position the Lid Tool in the small gap between the front liner holder and the drawer front, near the centre (Fig 8a).
- Place the Active Lid on top of the buckets and centralise. The front of the Active Lid should sit against the Lid Tool and the hooks and arrows on the top of the Active Lid face towards the cabinet interior.
- Push the drawer completely closed and the Active Lid will reconnect itself to the bin mount inside the cabinet.
- Pull the bin open to check the Active Lid is installed. Retrieve the Lid Tool.
- Place the Lid Tool in the slot in the Left Hand Door Bracket Cover (Fig 8b)

FIG.8a

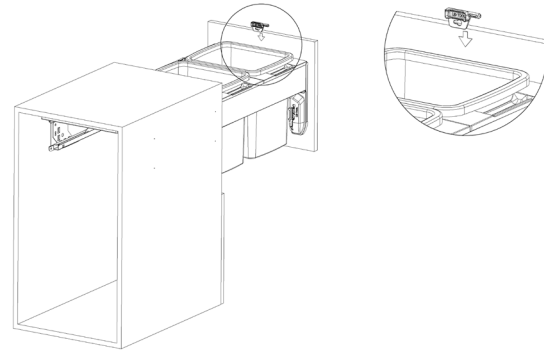


FIG.8b

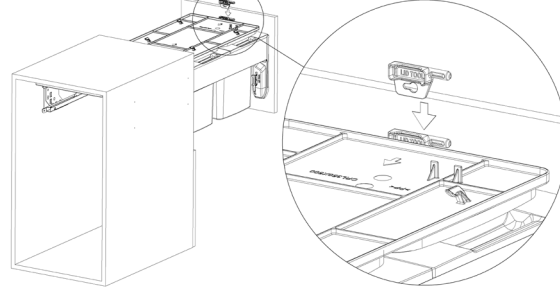
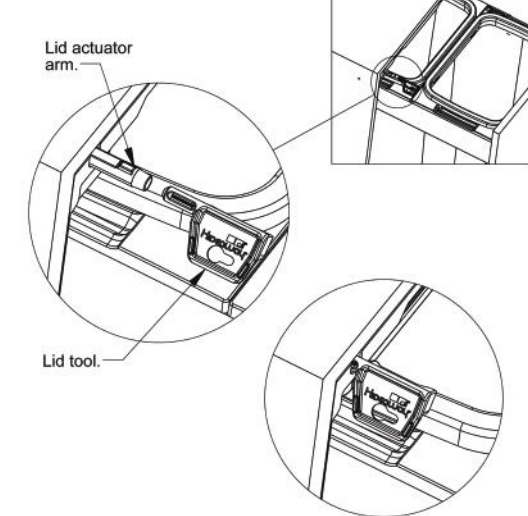


FIG.9



Step 11 – Removal of Active Lid

Refer to Fig. 9

- To remove lid, open bin approx. 100mm. Use the Lid Tool (or screwdriver) to push actuator in fully. Lid will be released and can be pulled out by hand as the bin is opened.

Installation complete.

LID TOOL

Use the Lid tool that is included with Warranty Card to install the Active Lid. Please ensure the Lid Tool and Warranty Card REMAIN WITH THE PRODUCT AFTER INSTALLATION for use by the homeowner.



INSTALLATION INSTRUCTIONS FOR:

CR350-213 / CR350-216 / CR350-135
CR400-215 / CR400-220 / CR450-235

READ ALL INSTRUCTIONS BEFORE INSTALLING THIS BIN UNIT. FAILURE TO INSTALL THE BIN CORRECTLY MAY VOID WARRANTY.

BENCH OVERHANG CLEARANCE:

The Hideaway Concelo range has been designed with over extension drawer runners which allow for a bench overhang of up to 40mm, allowing the back bucket to come clear independent of the front bucket. If more bench overhang clearance is required, please mount the bin lower in the cabinet.

IMPORTANT:

This Concelo bin is designed for side and top mounting into STANDARD width cabinets. If top mounting only into an OVERWIDTH cabinet is required, please use a CRTMB Top Mount Bracket Kit, which can be purchased separately.

INSTALLATION VIDEO PLEASE WATCH FIRST:

NZ: hideawaybins.co.nz/concelo_installation

AUS: hideawaybins.com.au/concelo_installation

Or scan the QR code...



FASTENER IDENTIFICATION:



HIDEAWAY NEW ZEALAND 09 426 7456
info@hideawaybins.co.nz / hideawaybins.co.nz

HIDEAWAY AUSTRALIA 1800 042 642
info@hideawaybins.co.nz / hideawaybins.com.au



MEMBERS AND SUPPORTERS OF



FIG.1

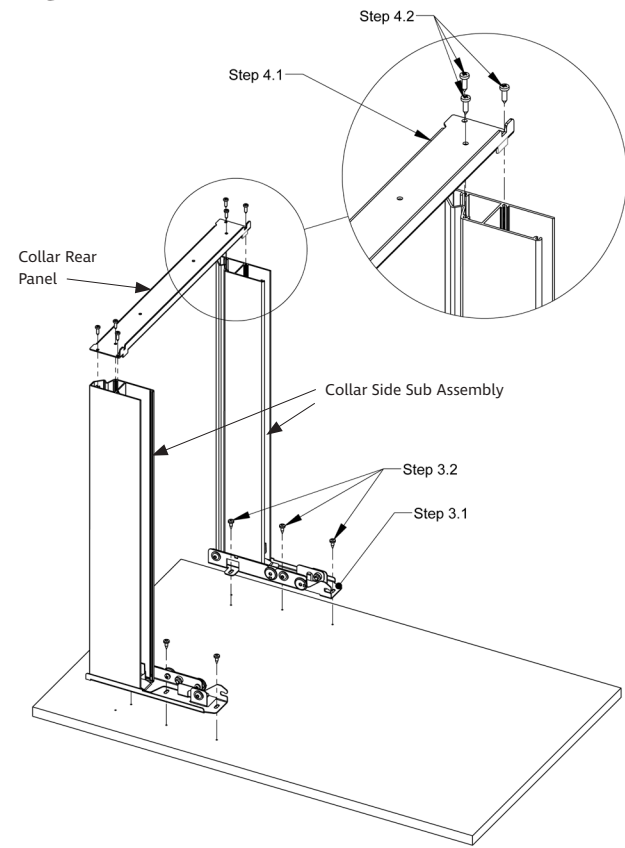


FIG.2

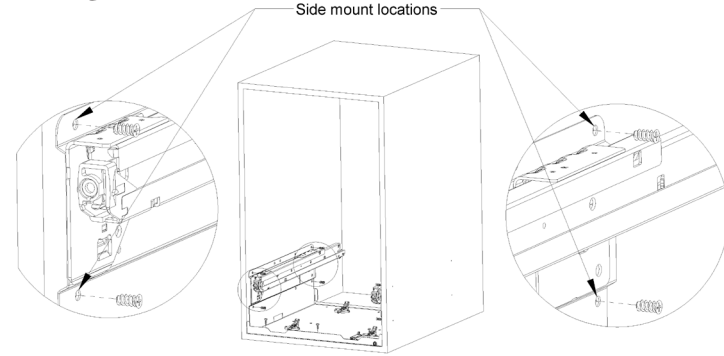


FIG.3

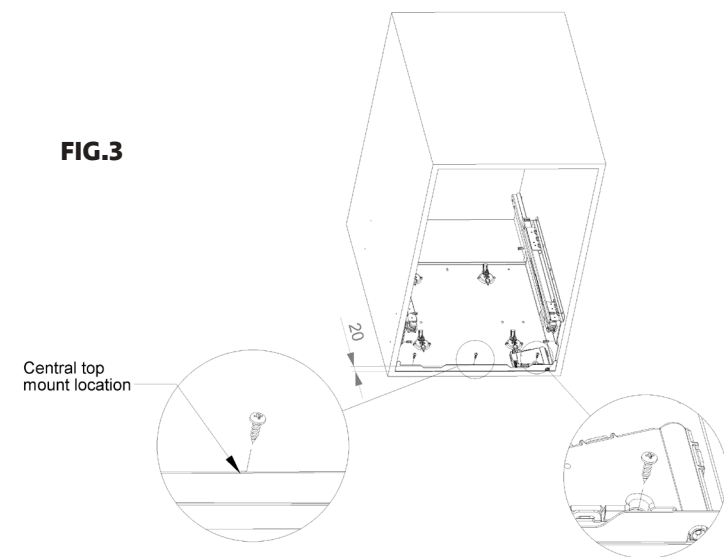


FIG.4

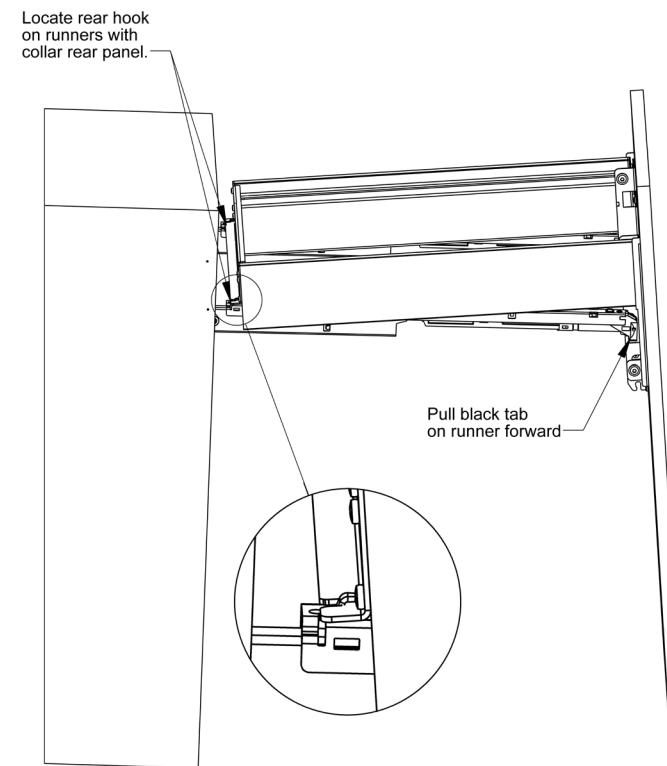
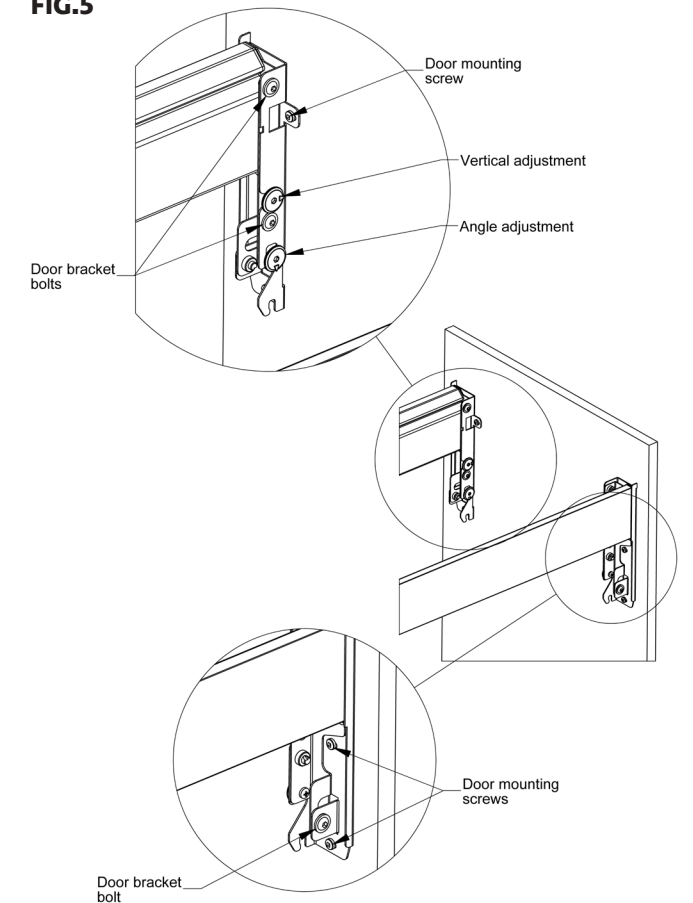


FIG.5



PLEASE WATCH THE INSTALL VIDEO BEFORE YOU BEGIN (link on the cover of these instructions)

Step 1 – Unpack carton

- Unpack all components from carton.
- Be careful not to dispose of Active Lid which is packed inside an inner carton.

Step 2 – Pre-drill door panel

- If drilling the door panel using a CNC machine, drilling positions are available as a CAD file from the Hideaway Bins website.
- If drilling manually, refer to drilling template or drilling dimensions.
- Mark a vertical centreline on the rear of the door panel.
- Mark a horizontal line indicating the top of the bin body top reference. **TIP:** An allowance needs to be made for the door overlap with the top of the carcass e.g. for a 16mm thick carcass material and 3mm gap between the door panel and the bench top the horizontal line should be $(16-3) = 13\text{mm}$ down from the top edge of the panel.
- Align the door panel template with the lines as indicated and mark the position of the mounting holes for the door brackets through the paper. **TIP:** 3 screw locations are required for each door bracket. An alternative location for the top screw is indicated. This should only be used in framed door situations but makes door adjustment more difficult.

- Drill a 2mm pilot hole at each of the mounting locations. **PLEASE NOTE:** the different colour coded mounting locations for your model - Pink = CR350 models, Blue = CR400 models, Red = CR450 models.

Step 3 – Install collar side sub assemblies

Refer to Fig. 1

- Position collar side sub assemblies.
- Secure each using 12mm Surefix screws provided.

Step 4 – Install collar rear panel on to collar sides

Refer to Fig. 1

- Position collar rear panel as shown.
- Secure using 6G x 12mm self tapping screws. **NOTE:** do not use impact driver.

Step 5 – Install body sub assembly

NOTE - For top mounting into overwidth cabinets, please use CRTMB Top Mount Bracket Kit which is supplied separately, and follow separate instructions for this step.

For new kitchens, where possible, it is easiest to place the carcass upside down on a bench while installing the body. See drilling dimensions on back of door drilling template.

- Refer to Fig. 2. Mark out all side mount holes referring to drilling template.
- Pre-drill 5mm x 13mm deep holes for all 8 side mount holes.
- Position body in cabinet ensuring it is flush with front of the cabinet and level. Secure to the sides of the cabinet using 8 of the 13mm Euro screws provided.
- Refer to Fig. 3. Drill pilot holes in the front top rail of the cabinet using the body as a guide, and secure using 3 of the 16mm Surefix screws.

Step 6 – Assemble collar and door panel to runners

- Position collar assembly as shown in Fig.4. **TIP:** Ensure that runners are pulled forward, there is a black tab at the front of the runner that can be pulled while holding the door panel.
- Lower the door panel until a click is heard. **TIP:** The door panel may need to be pushed down slightly.
- Close the product and check that it is approximately level. **TIP:** If the door panel is significantly out of level it may indicate that it is not clipped down fully on one side.

Step 7 – Adjust the door panel position

Refer to Fig. 5

- Loosen the 6 door bracket bolts using the 4mm Allen key provided.

- Adjust the door to be square and parallel to carcass and in the correct vertical position using the adjustment cams.
- Tighten the 6 door bracket bolts.
- Loosen the 6 door mounting screws and adjust the horizontal position of the door panel, if required.
- Tighten the 6 door mounting screws.

Continue overleaf...

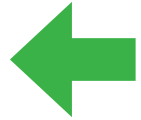
CARCASE SIDE MOUNTING TEMPLATE



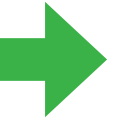
 ← **DRILL:** Ø 5 x 13mm deep



CARCASE FRONT LEFT



CARCASE FRONT RIGHT



Conçelo.®

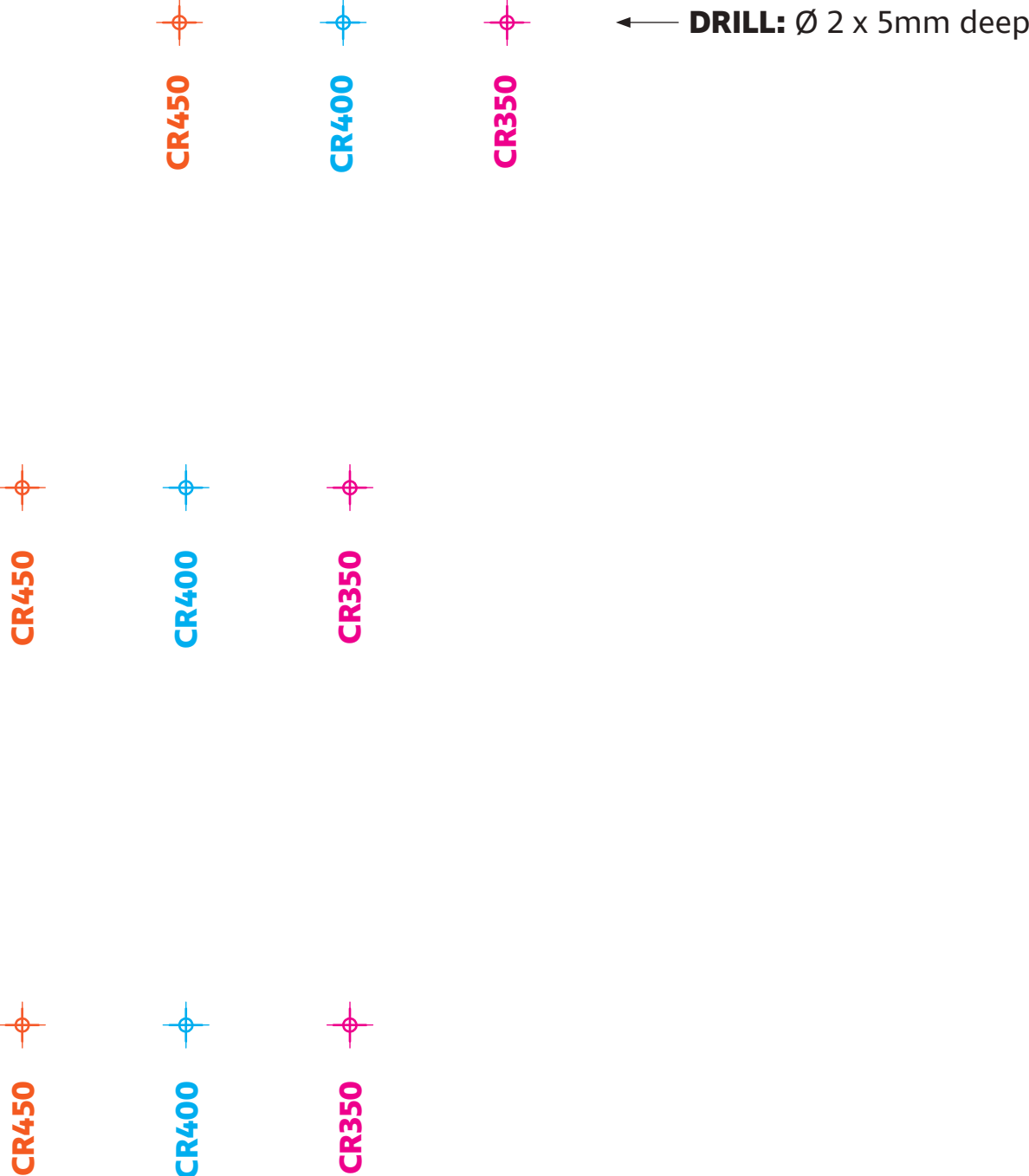
BY HIDEAWAY

Refer to Installation Instructions for
guidance on using this drilling template.

DOOR MOUNTING TEMPLATE



BIN BODY TOP REFERENCE



DOOR CENTRE

