
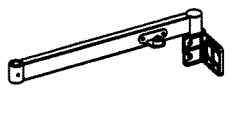
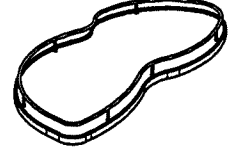
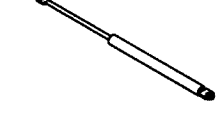


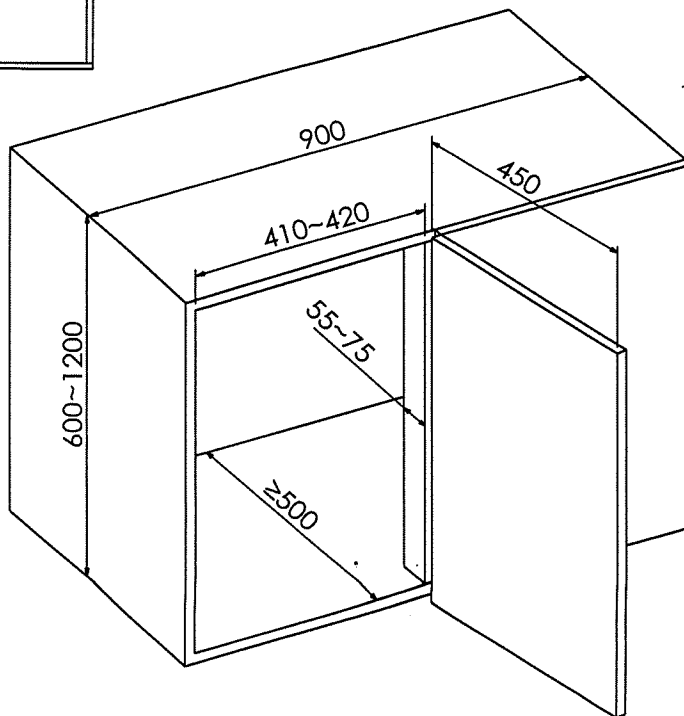
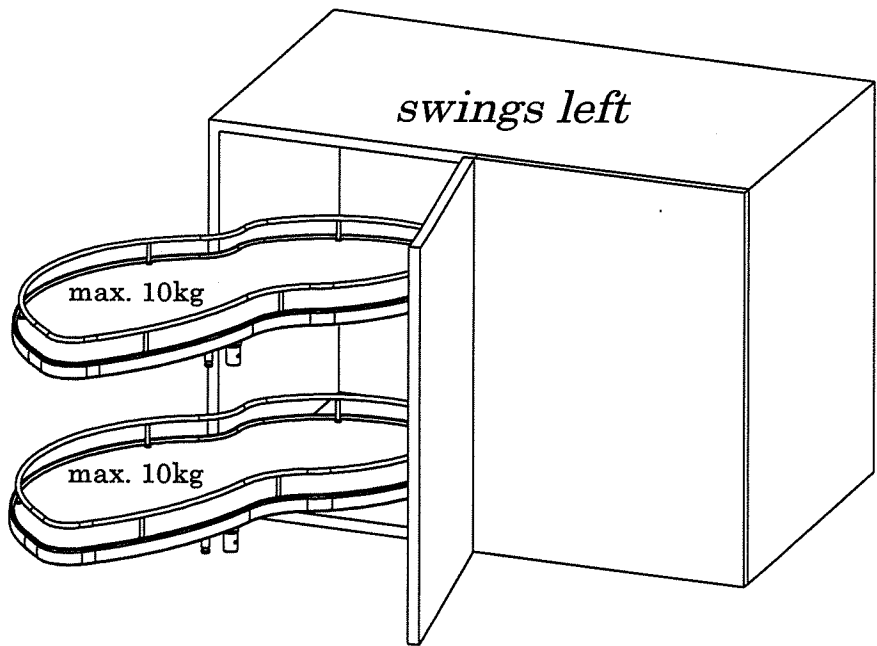
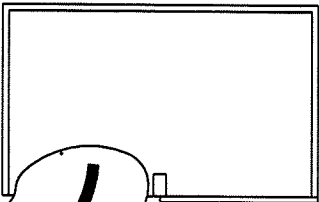
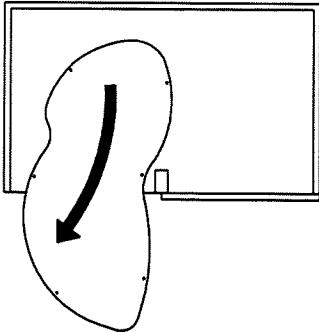
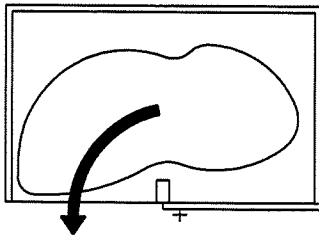


# INSTALL INSTRUCTION

for left door

## contents

A	B	C	D	E	F
external swivel arm	internal swivel arm	shelf	gas piston	M5*8 flat screw	screw
					
2 pcs	2 pcs	2 pcs	2 pcs	4 pcs	30 pcs

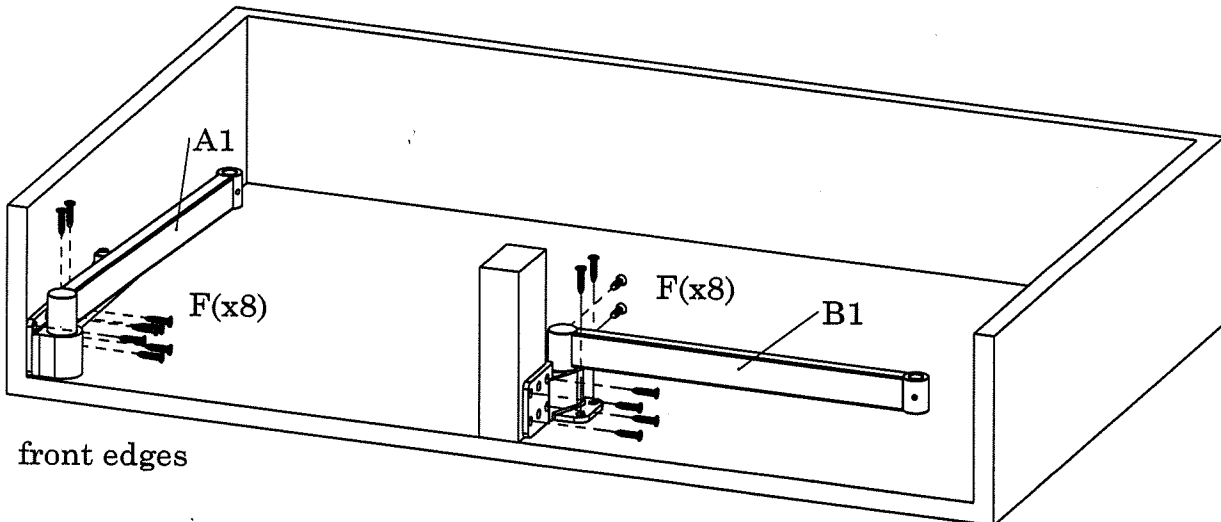


required carcass dimension (mm)

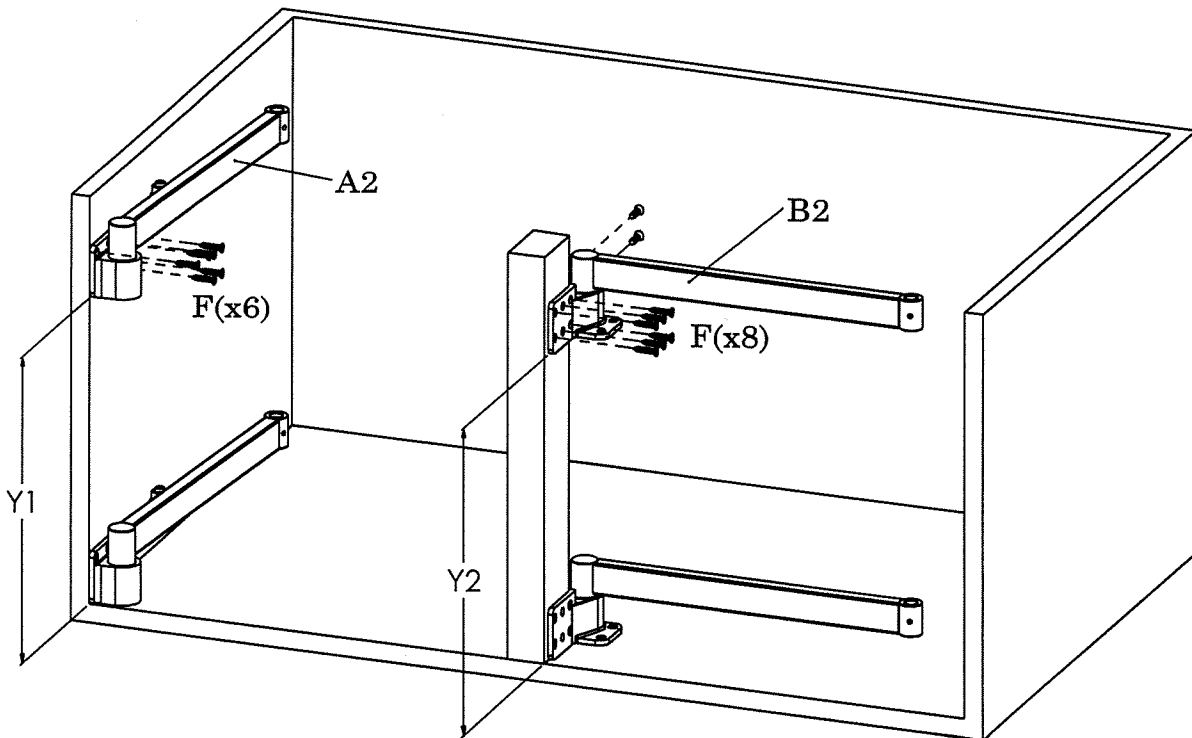
# INSTALL INSTRUCTION

for left door

step 1: install the Internal Swing Arm (B1) and External Swing Arm (A1) on bottom board with Screw (F).  
Align the External Swing Arm (A1) with cabinet's front edges.



step 2: install Internal Swing Arm (B2) and External Swing Arm (A2) with Screw (F). Align External Swing Arm (A2) with side board edges.

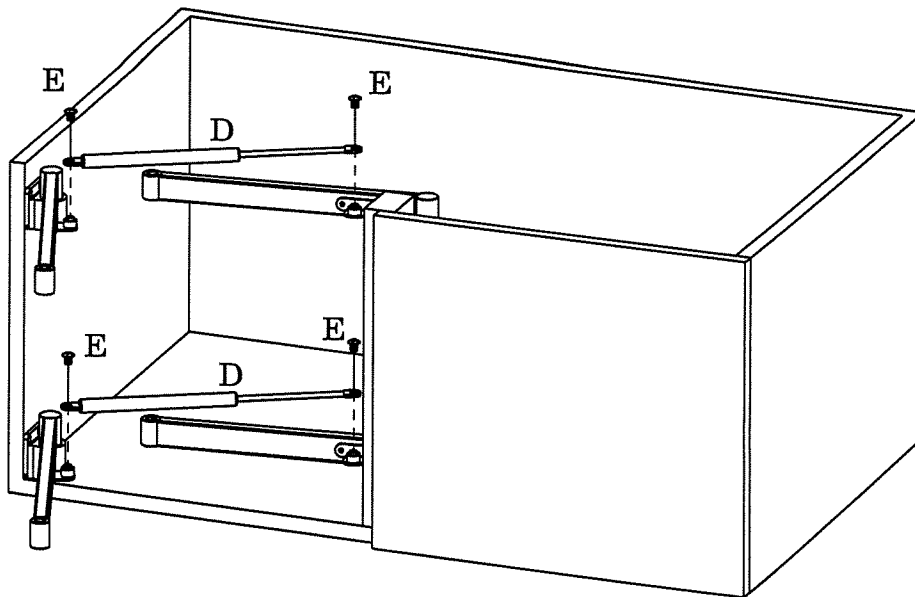


min. required height (Y1=Y2): 300mm

# INSTALL INSTRUCTION

for left door

step 3: install Gas Piston (D) with Screw (E); note its direction, refer to drawing



- step 4:
- insert Shelves (C) into the Swing Arm, refer to drawing (1) and (2)
  - must tighten screw for avoiding shelves being loose, refer to drawing (3)
  - installation is finished

