

SOFT - CLOSING



3-Fold soft-closing ball bearing slides

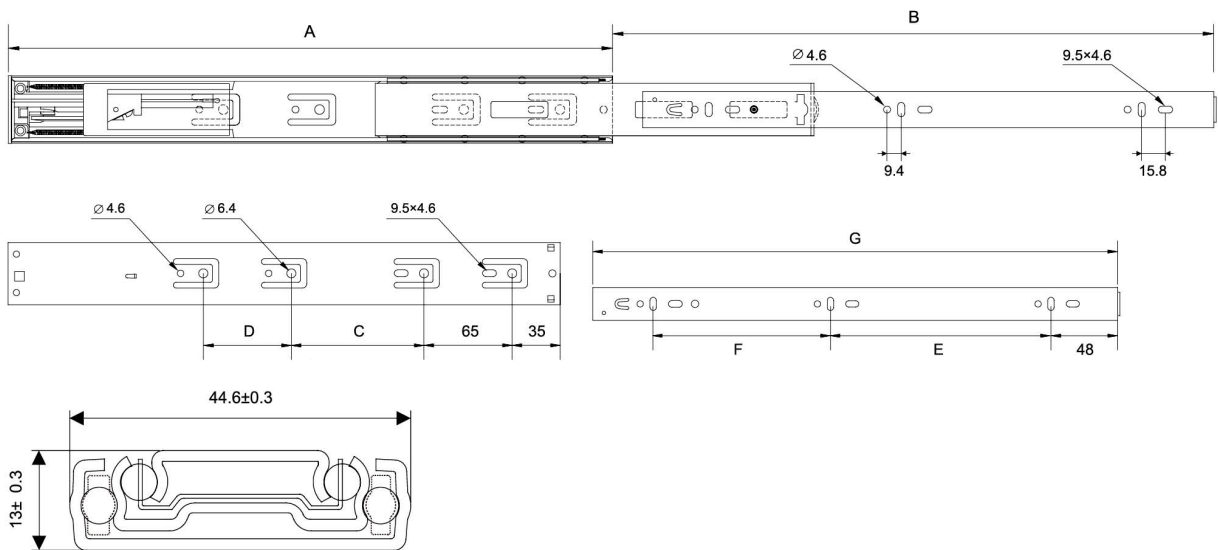
Technical specifications:

- Width: 45mm
- Finish: zinc-plated
- Material: cold-rolled steel
- Soft-closing full extension ball bearing slide. Chipboard screw on.
- Smooth motion on steel balls. Increased Soft-closing mechanism.



Slide Series

Installation indication



Thickness Range: 1.0 x 1.0 x 1.2mm

Unit: mm

Model	Color	A	B	C	D	E	F	G
-------	-------	---	---	---	---	---	---	---

BB400SC	Zinc-plated	400	400	96	64	160	128	380
	Blacke							
BB450SC	Zinc-plated	450	450	160	64	160	160	430
	Blacke							
BB500SC	Zinc-plated	500	500	160	64	160	192	480
	Blacke							
BB550SC	Zinc-plated	550	550	160	128	192	224	530
	Blacke							

