

MODEL AO676X



60CM BUILT-IN ELECTRIC OVEN



PRODUCT INFORMATION

- Glass door with stainless steel strip
- Stainless Steel finish
- 5 Functions: Convection, Fan forced, Fan grill, Defrost, Oven lamp
- Cavity 88L
- Touch control digital timer
- Multi-function knob
- Knob control thermostat
- 5 chrome rack positions
- Triple layer glass door
- Removable inner glass door
- Detachable door
- Active Enamel
- Halogen cavity lamp
- Baking tray & grill rack
- Temperature range 50°C - 250°C
- Single layer telescopic rail
- 'Plug & Play' power cord fitted (1.5m in length with 10AMP plug)



EAN 9347777002914

AR07032019

DISCLAIMER

Eurolinx PTY LTD, is continually seeking ways to improve the design specifications, aesthetics and production techniques of its products. As a result alterations to our products and designs take place continually. Whilst every effort is made to produce information and literature that is up to date, this brochure should not be regarded as an infallible guide to the current specifications, nor does it constitute an offer for the sale of any particular product. Product dimensions indicated in our literature is indicative only. Actual product only should be used to define dimension cut outs. Distributors, and retailers are not agents of Eurolinx and are not authorized to bind Eurolinx by any express or implied undertaking or representation.

FOLLOW US ON: [instagram.com/artusi_appliances](https://www.instagram.com/artusi_appliances)

www.linkedin.com/company/eurolinx-pty-ltd-t-a-llve/

Australia National Telephone Number 1300 (694 583) New Zealand Telephone Number 64 3 344 5913
 Artusi showroom hours: Tuesday to Friday - 9am-5pm, Saturday - 10am-4pm, Sunday and Monday - closed
 * Melbourne showroom hours: Tuesday to Saturday - 10am-4pm

[artusi.com.au](https://www.artusi.com.au)

NSW & ACT (Head Office)
 48-50 Moore Street
 Leichhardt
 F 02 8569 4699

VIC & SA
 1211 Toorak Road
 Camberwell
 F 03 9809 2155

QLD
 1/42 Cavendish Road
 Coorparoo
 F 07 3397 0850

WA & NT
 Unit 10/55 Howe Street
 Osborne Park
 F 08 9201 9188

New Zealand
 PO Box 11,160
 Sockburn Christchurch
 F 03 344 5906

MODEL AO676X



60CM BUILT-IN ELECTRIC OVEN



24 MONTH WARRANTY



60CM



88L OVEN CAPACITY



COOKING FUNCTIONS



SHELF POSITIONS



TRIPLE GLAZING

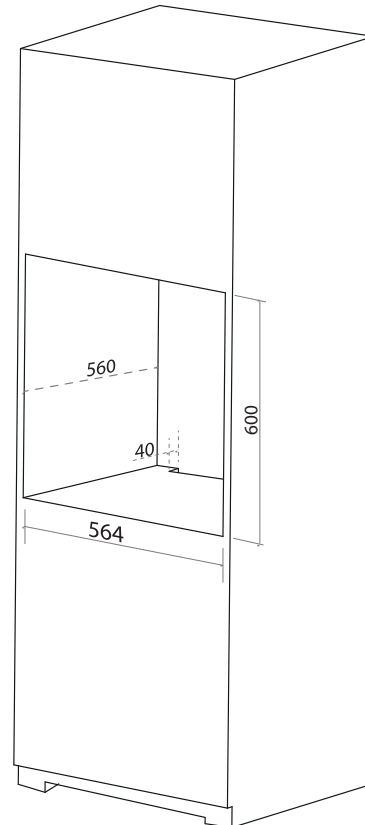
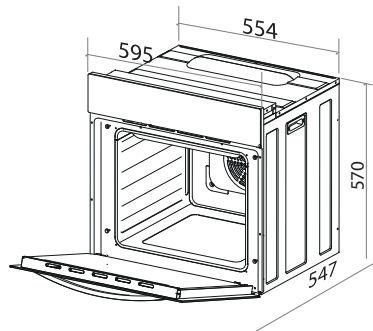


HALOGEN GLOBE



10AMP POWER CONNECTION

TECHNICAL DIAGRAM



NB: drawings are not to scale — they are to be used for detailed installation instructions, please refer to user guide.

EAN 9347777002914

AR07032019

DISCLAIMER

Eurolinx PTY LTD, is continually seeking ways to improve the design specifications, aesthetics and production techniques of its products. As a result alterations to our products and designs take place continually. Whilst every effort is made to produce information and literature that is up to date, this brochure should not be regarded as an infallible guide to the current specifications, nor does it constitute an offer for the sale of any particular product. Product dimensions indicated in our literature is indicative only. Actual product only should be used to define dimension cut outs. Distributors, and retailers are not agents of Eurolinx and are not authorized to bind Eurolinx by any express or implied undertaking or representation.

AO676X Built-in Electric Oven

Power Consumption: 2 kw/h

Electrical connection: 10AMP power cord (supplied)

FOLLOW US ON: [instagram.com/artusi_appliances](https://www.instagram.com/artusi_appliances)

www.linkedin.com/company/eurolinx-pty-ltd-t-a-ilve/

Australia National Telephone Number 1300 (694 583) New Zealand Telephone Number 64 3 344 5913
 Artusi showroom hours: Tuesday to Friday - 9am-5pm, Saturday - 10am-4pm, Sunday and Monday - closed
 * Melbourne showroom hours: Tuesday to Saturday - 10am-4pm

artusi.com.au

NSW & ACT (Head Office)
 48-50 Moore Street
 Leichhardt
 F 02 8569 4699

VIC & SA
 1211 Toorak Road
 Camberwell
 F 03 9809 2155

QLD
 1/42 Cavendish Road
 Coorparoo
 F 07 3397 0850

WA & NT
 Unit 10/55 Howe Street
 Osborne Park
 F 08 9201 9188

New Zealand
 PO Box 11.160
 Sockburn Christchurch
 F 03 344 5906