

# MODEL ABBQ1B



## BUILT-IN GAS BARBECUE

MADE  
IN ITALY24 MONTH  
WARRANTYFLAME FAILURE  
DEVICE

## PRODUCT INFORMATION

- Meticulous design with seamless finish
- Matte black enamel
- Automatic Piezo battery ignition with concealed D cell battery compartment
- Interchangeable hotplate configuration for different cooking styles
- stainless steel burners
- 3.5kWh each burner
- cast-iron flat plate
- cast-iron griddle plate
- side control knobs
- oil/fat reservoir
- flame failure device
- double-skin hood
- 5/8" connection fitting
- hose and regulator assembly included
- (barbecue lid sold separately)

### Lid Options:

ABFLAT - Slimline Flat BBQ lid

ABHOOD - Roasting dome BBQ hood



### DISCLAIMER

Eurolinx PTY LTD, is continually seeking ways to improve the design specifications, aesthetics and production techniques of its products. As a result alterations to our products and designs take place continually. Whilst every effort is made to produce information and literature that is up to date, this brochure should not be regarded as an infallible guide to the current specifications, nor does it constitute an offer for the sale of any particular product. Product dimensions indicated in our literature is indicative only. Actual product only should be used to define dimension cut outs. Distributors, and retailers are not agents of Eurolinx and are not authorized to bind Eurolinx by any express or implied undertaking or representation.



Pictured: ABBQ1B built-in barbecue with ABHOOD hooded lid

Pictured: ABBQ1B built-in barbecue with ABFLAT flat lid



ABBQ1B: EAN 9347777001795

ABHOOD: EAN 9347777001801

ABFLAT: EAN 9347777001818

AR100720

### FOLLOW US ON:



instagram.com/artusi\_appliances



www.linkedin.com/company/eurolinx-pty-ltd-t-a-llve/

Australia National Telephone Number 1300 (694 583) New Zealand Telephone Number 64 3 344 5913

Artusi showroom hours: Tuesday to Friday - 9am-5pm, Saturday - 10am-4pm, Sunday and Monday - closed

\* Melbourne showroom hours: Tuesday to Saturday - 10am-4pm

artusi.com.au

#### NSW & ACT (Head Office)

48-50 Moore Street  
Leichhardt  
F 02 8569 4699

#### VIC & SA

1211 Toorak Road  
Camberwell  
F 03 9809 2155

#### QLD

1/42 Cavendish Road  
Coorparoo  
F 07 3397 0850

#### WA & NT

Unit 10/55 Howe Street  
Osborne Park  
F 08 9201 9188

#### New Zealand

PO Box 11.160  
Sockburn Christchurch  
F 03 344 5906

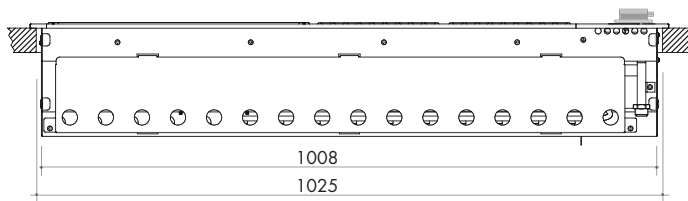
# MODEL ABBQ1B



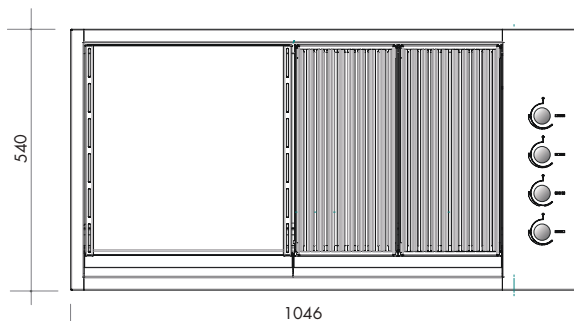
## BUILT-IN GAS BARBECUE

MADE  
IN ITALY24 MONTH  
WARRANTYFLAME FAILURE  
DEVICE

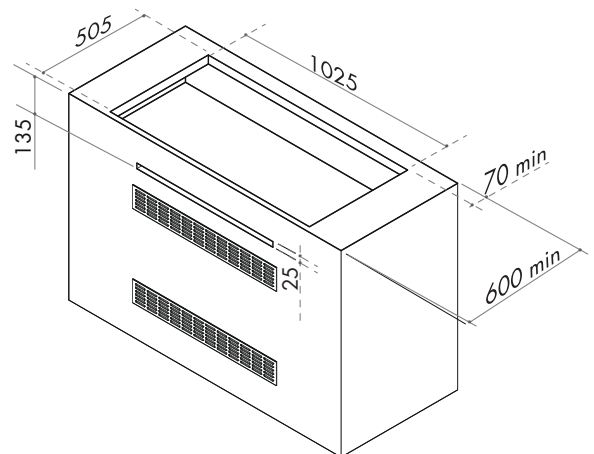
## TECHNICAL DIAGRAM



BACK VIEW ABBQ1BH



TOP VIEW ABBQ1BH



NB: drawings are not to scale — they are to be used for detailed installation instructions, please refer to user guide.

ABBQ1B: EAN 9347777001795

ABHOOD: EAN 9347777001801

ABFLAT: EAN 9347777001818

ABBQ1B Built-in barbecue  
Size 1046W x 540D x 177H  
CUTOUT: 1025W x 505D

AR100720

### DISCLAIMER

Eurolinx PTY LTD, is continually seeking ways to improve the design specifications, aesthetics and production techniques of its products. As a result alterations to our products and designs take place continually. Whilst every effort is made to produce information and literature that is up to date, this brochure should not be regarded as an infallible guide to the current specifications, nor does it constitute an offer for the sale of any particular product. Product dimensions indicated in our literature is indicative only. Actual product only should be used to define dimension cut outs. Distributors, and retailers are not agents of Eurolinx and are not authorized to bind Eurolinx by any express or implied undertaking or representation.

**FOLLOW US ON:**  [instagram.com/artusi\\_appliances](https://www.instagram.com/artusi_appliances)

 [www.linkedin.com/company/eurolinx-pty-ltd-t-a-ilve/](https://www.linkedin.com/company/eurolinx-pty-ltd-t-a-ilve/)

Australia National Telephone Number 1300 (694 583) New Zealand Telephone Number 64 3 344 5913  
Artusi showroom hours: Tuesday to Friday - 9am-5pm, Saturday - 10am-4pm, Sunday and Monday - closed  
\* Melbourne showroom hours: Tuesday to Saturday - 10am-4pm

[artusi.com.au](https://www.artusi.com.au)

**NSW & ACT (Head Office)**  
48-50 Moore Street  
Leichhardt  
F 02 8569 4699

**VIC & SA**  
1211 Toorak Road  
Camberwell  
F 03 9809 2155

**QLD**  
1/42 Cavendish Road  
Coorparoo  
F 07 3397 0850

**WA & NT**  
Unit 10/55 Howe Street  
Osborne Park  
F 08 9201 9188

**New Zealand**  
PO Box 11.160  
Sockburn Christchurch  
F 03 344 5906

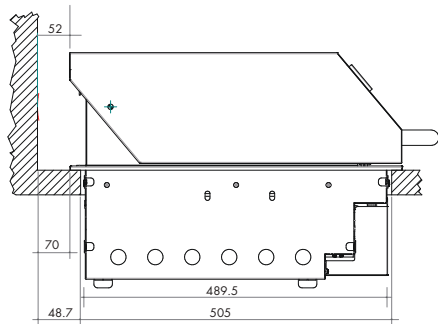
# MODEL ABBQ1B



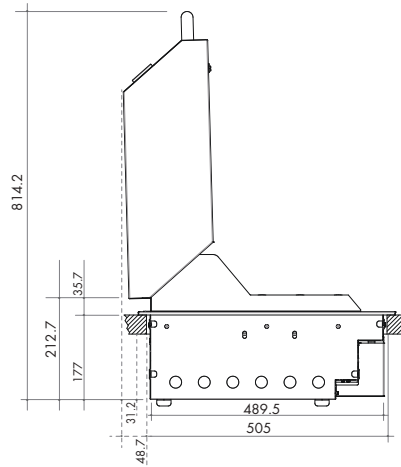
## BUILT-IN GAS BARBECUE

MADE  
IN ITALY24 MONTH  
WARRANTYFLAME FAILURE  
DEVICE

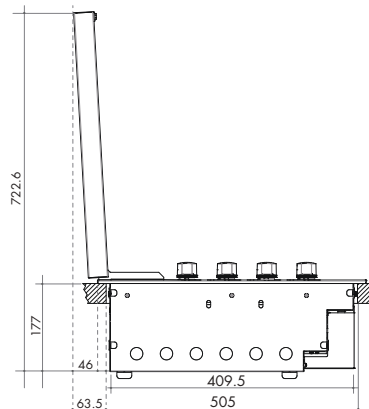
### TECHNICAL DIAGRAM



ABHOOD Dimensions



ABFLAT Dimensions



NB: drawings are not to scale — they are to be used for detailed installation instructions, please refer to user guide.

ABBQ1B: EAN 9347777001795

ABHOOD: EAN 9347777001801

ABFLAT: EAN 9347777001818

ABBQ1B Built-in barbecue  
Size 1046W x 540D x 177H  
CUTOUT: 1025W x 505D

AR100720

#### DISCLAIMER

Eurolinx PTY LTD, is continually seeking ways to improve the design specifications, aesthetics and production techniques of its products. As a result alterations to our products and designs take place continually. Whilst every effort is made to produce information and literature that is up to date, this brochure should not be regarded as an infallible guide to the current specifications, nor does it constitute an offer for the sale of any particular product. Product dimensions indicated in our literature is indicative only. Actual product only should be used to define dimension cut outs. Distributors, and retailers are not agents of Eurolinx and are not authorized to bind Eurolinx by any express or implied undertaking or representation.

**FOLLOW US ON:** [instagram.com/artusi\\_appliances](https://www.instagram.com/artusi_appliances)

[www.linkedin.com/company/eurolinx-pty-ltd-t-a-llve/](https://www.linkedin.com/company/eurolinx-pty-ltd-t-a-llve/)

Australia National Telephone Number 1300 (694 583) New Zealand Telephone Number 64 3 344 5913  
Artusi showroom hours: Tuesday to Friday - 9am-5pm, Saturday - 10am-4pm, Sunday and Monday - closed  
\* Melbourne showroom hours: Tuesday to Saturday - 10am-4pm

[artusi.com.au](https://www.artusi.com.au)

**NSW & ACT (Head Office)**  
48-50 Moore Street  
Leichhardt  
F 02 8569 4699

**VIC & SA**  
1211 Toorak Road  
Camberwell  
F 03 9809 2155

**QLD**  
1/42 Cavendish Road  
Coorparoo  
F 07 3397 0850

**WA & NT**  
Unit 10/55 Howe Street  
Osborne Park  
F 08 9201 9188

**New Zealand**  
PO Box 11,160  
Sockburn Christchurch  
F 03 344 5906