

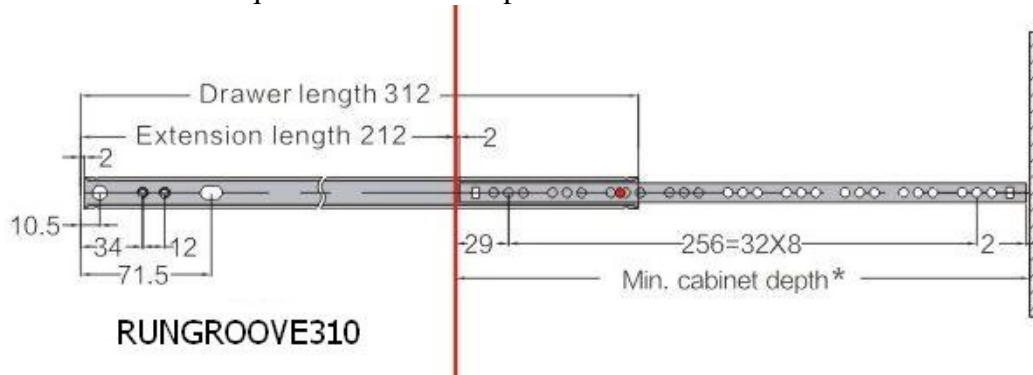
BALL BEARING DRAWER SLIDES

For 17mm Groove Mount or 17mm Slot Mount

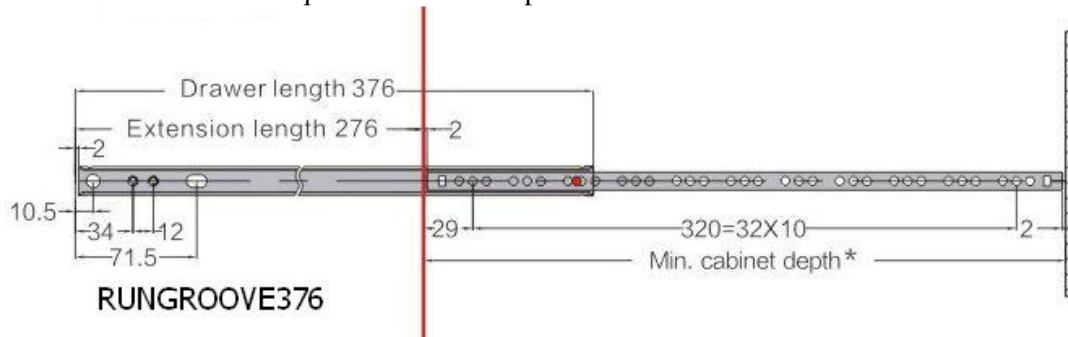
Telescopic precision PULL THROUGH or BOTH WAY EXTENSION SLIDE with ball bearing race



Product Code: RUNGROOVE310 - For drawer length 312mm
Equivalent to Hafele part number 420.68.315



Product Code: RUNGROOVE375 - For drawer length 376mm
Equivalent to Hafele part number 420.68.379



Osborne Park: 39 Howe Street.
Bunbury: 12 Sylvan Way

Ph 08 9446 6333 Fax 08 9446 8865
Ph 08 9725 4812 Fax 08 9725 4809

Wangara: U-2 6 Ismail Street
Thebarton: 14 Murray Street

Ph 08 9309 6333 Fax 08 9309 6899
Ph 08 8352 1888 Fax 08 8352 1666

Phone: 08 9446 6333

Fax: 08 9446 8865

Email: hardware@galvinhw.com.au

Web: galvinhw.com.au

Application: General home furniture or other drawer applications
 Suitable for dressing table, vanity or table drawers
 Ideal for installation in small pre-fabricated vinyl wrapped drawers

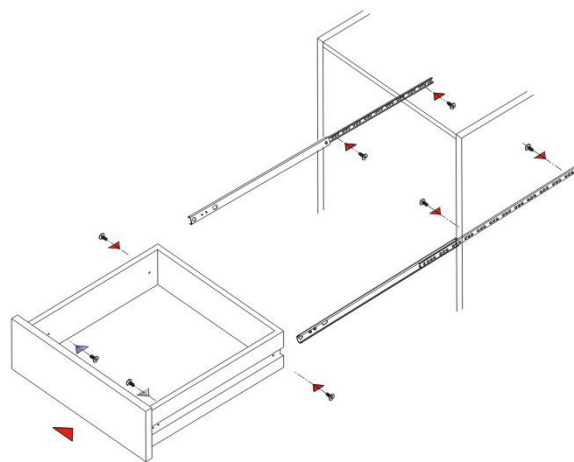
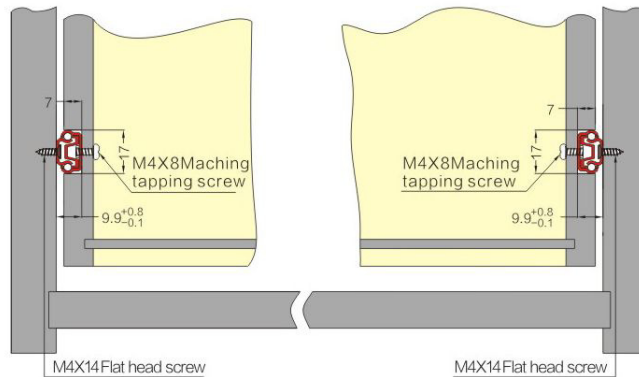
Load Capacity: 10kg or 22 pounds

Material: Cold rolled steel with Galvanized finish

Runner & ball cage integrated into a single complete unit

Ball cage of noise deadening plastic

Side clearance: Minimum 9.8mm – Maximum 10.7mm +/- 0.1mm



Osborne Park: 39 Howe Street.
 Bunbury: 12 Sylvan Way

Ph 08 9446 6333 Fax 08 9446 8865
 Ph 08 9725 4812 Fax 08 9725 4809

Wangara: U-2 6 Ismail Street
 Thebarton: 14 Murray Street

Ph 08 9309 6333 Fax 08 9309 6899
 Ph 08 8352 1888 Fax 08 8352 1666